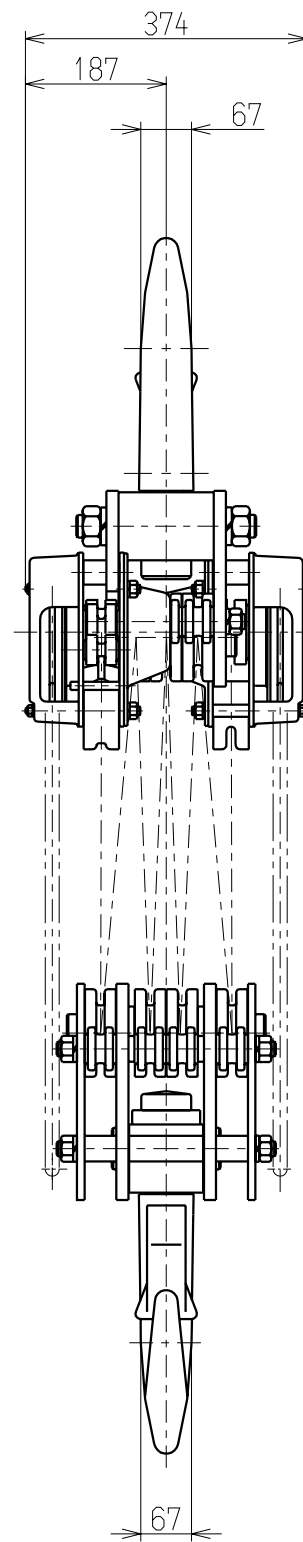
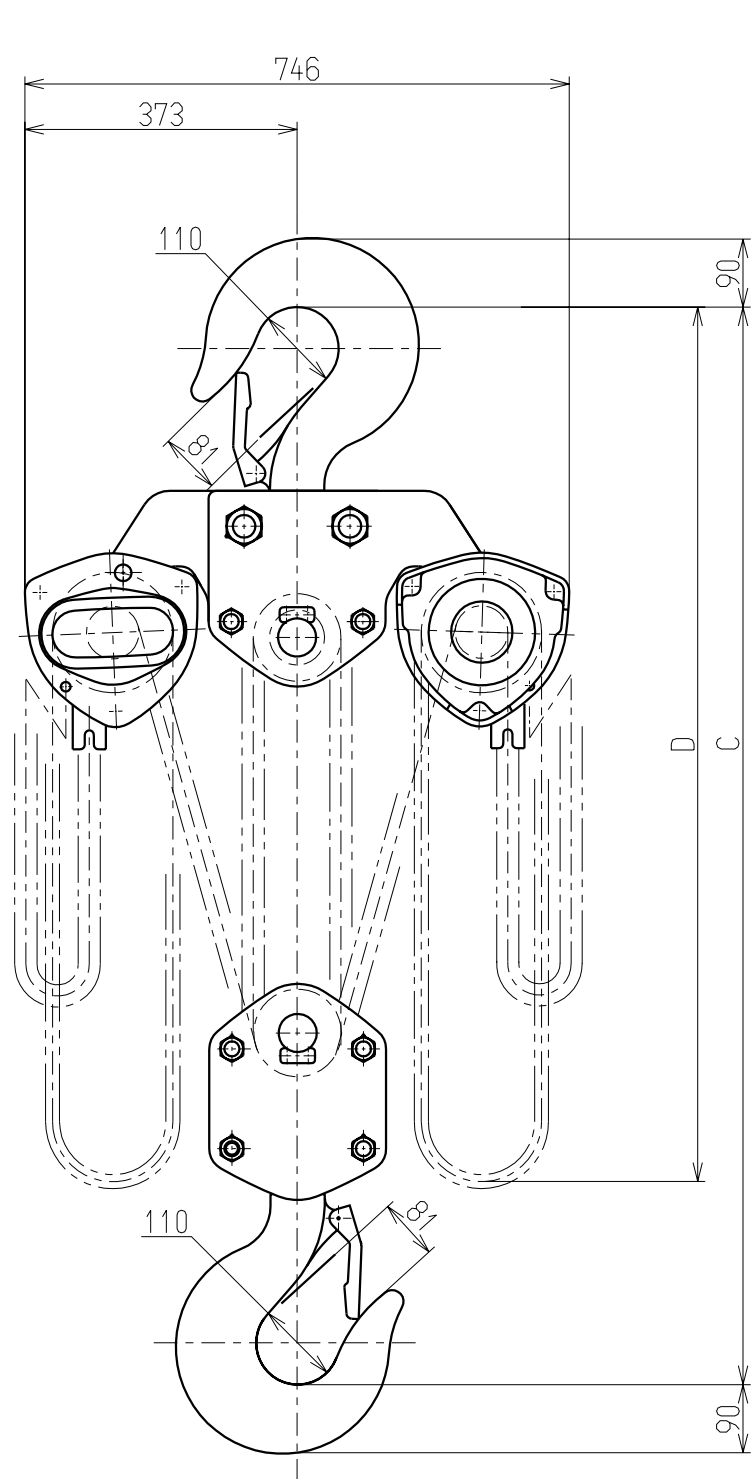


1 2 3 4 5 6 7 8 9 10

A  
B  
C  
D  
E  
F

A  
B  
C  
D  
E  
F



Specifications	
Working load limit	20 t
Std. lift	3.5 m
Min. headroom :C	1180 mm
Chain pull to lift full load	353x2 N (36x2 kgf)
Hand chain Length from top hook :D	4.8 m
Load chain size	9 × 27 mm
Mass	235 kg

Note:

**CB SERIES 20 t**  
**MANUAL CHAIN HOIST**

APPROVED	CHECKED	DESIGNED
SASAKI 2000.7.5	OKUYAMA 2000.7.5	ARUGA 2000.7.5

CODE	CB200	SCALE	
DWG.NO.	C3BA200-12100	DATE	

**KITO CORP.**

UNIT : mm