

1

2

3

4

5

6

A

B

C

D

A

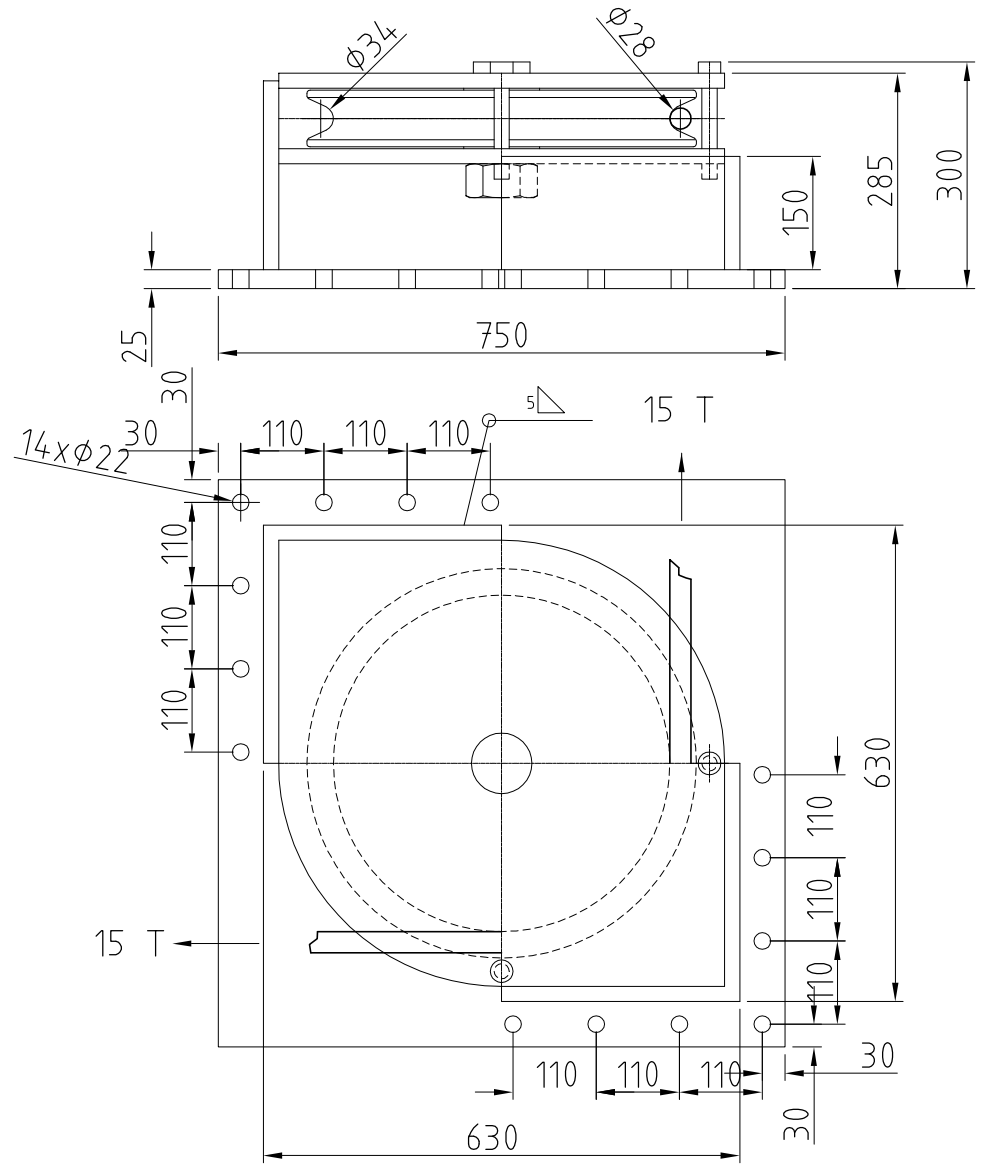
B

C

D

Parts List			
Item	Qty	Name	Standard
1	1	HORISONTALT SKIVEHUS	A4-3480
2	1	FESTE PLATE - PL25 750x750 mm	S355J2G3
3	1	-	-
6	3	-	-
7	-	-	-
9	-	-	-
10	-	-	-

NOTE:
1. Alle sveising $\alpha=5$ mm.



PACAGE TITLE

TAG.NO(S)

P.O. NUMBER

LEIE NR: 3900

SUPPL. DOC. NUMBER

DRAWING TITLE:

PROJECT NAME:

HORISONTALT SKIVEHUS 15 T

K.LUND Offshore.as

DRAWING NO.

1:10

A3

1 OF 1

02

3900-01

Scale

Size

Sheet No.

Rev

REV.	DATE	REASON FOR ISSUE	PREPARED	CHECKED	APPROVED
02	25.06.02	FOR PRODUKSJON	ISO		
01	04.06.02	FOR INFORMASJON	ISO	AHA	BBE

1

2

3

4

5

6