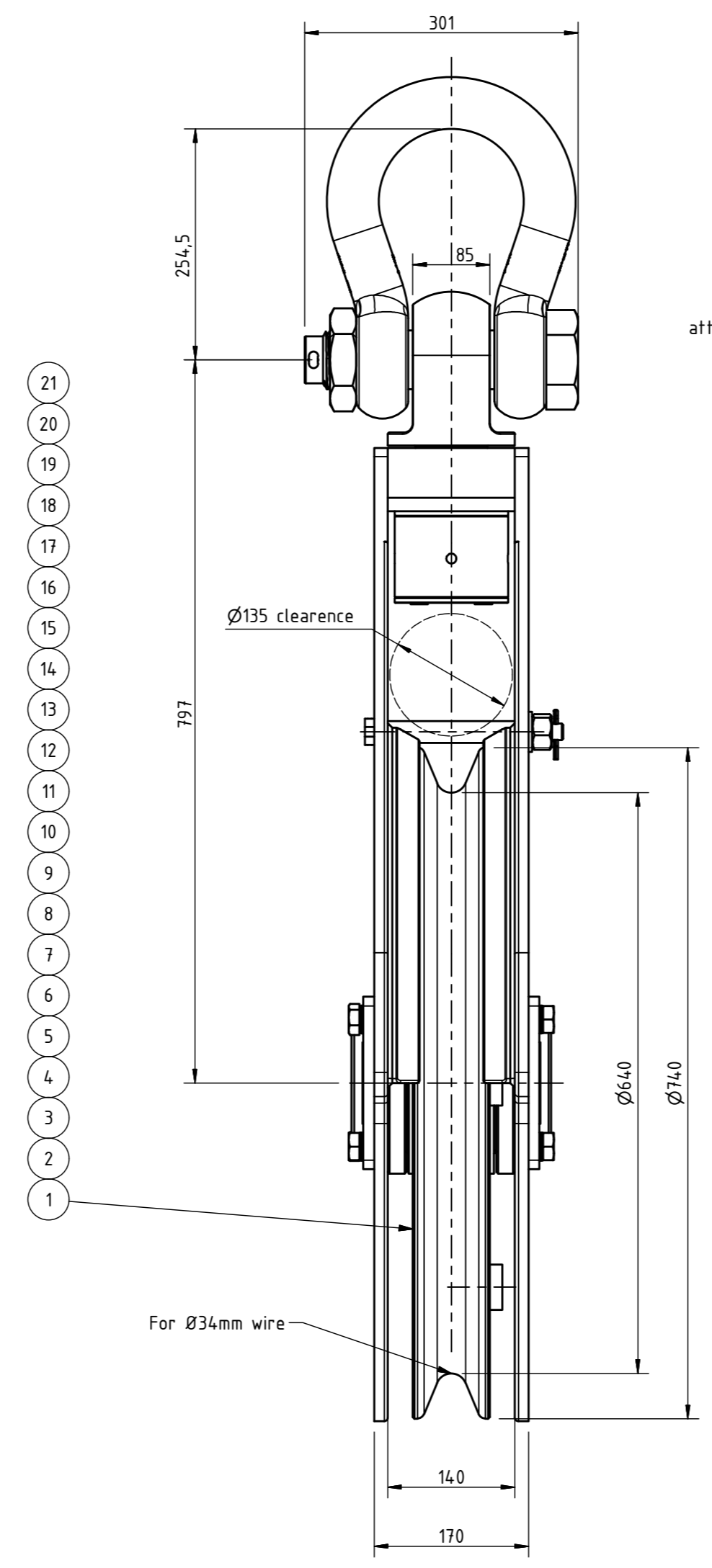
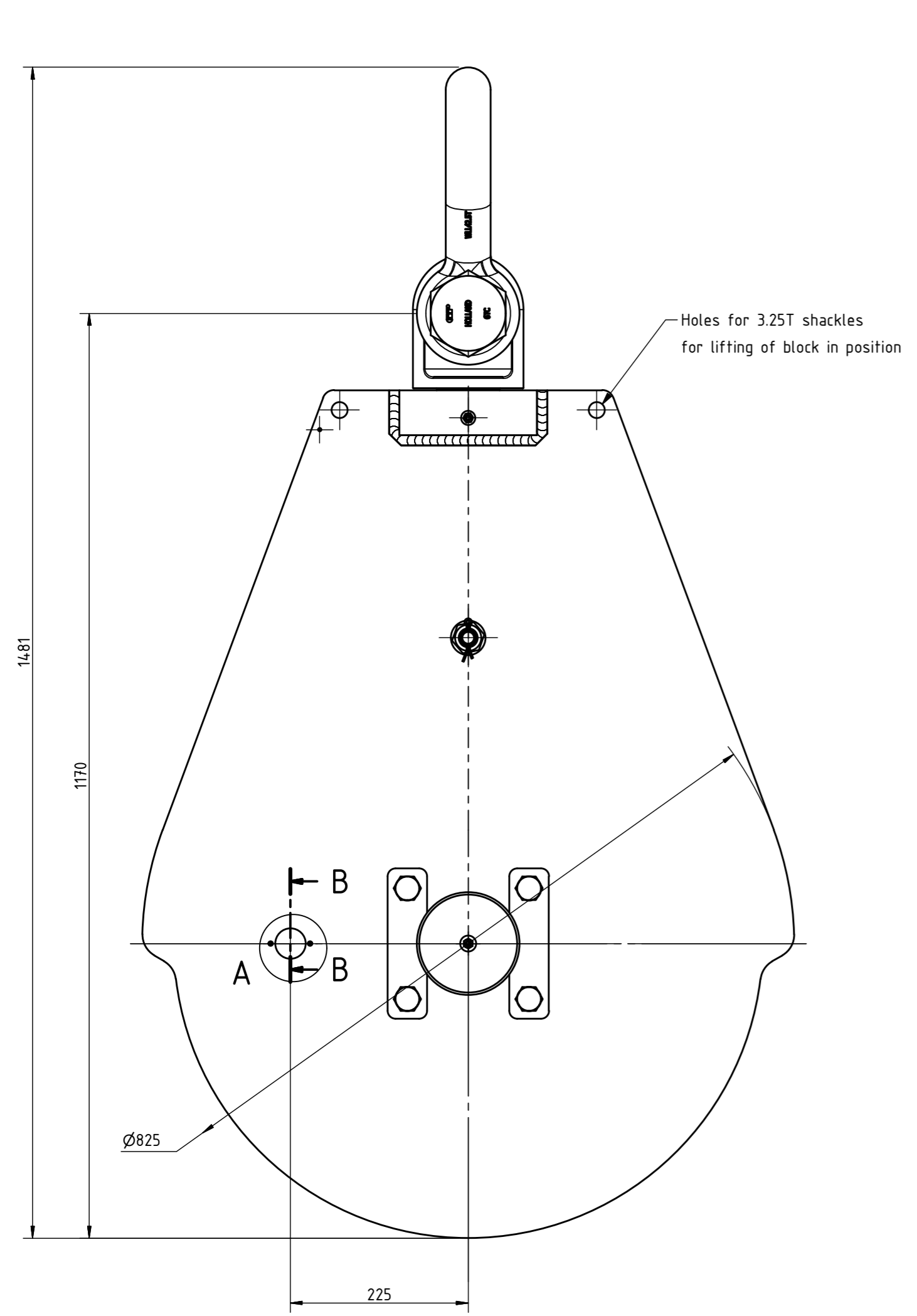


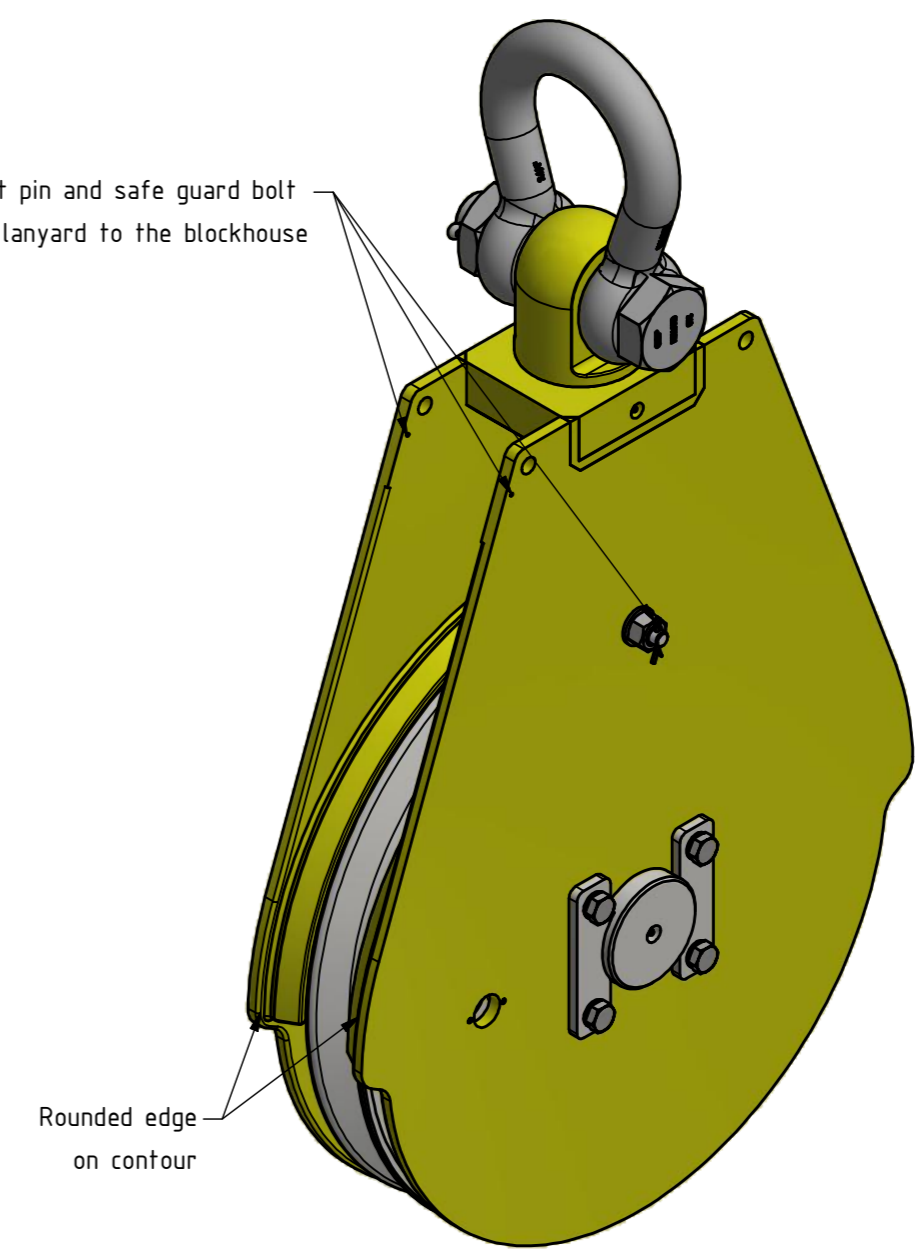
**General notes:**  
 - Remove all debris/dirt  
 - Preservation of parts in accordance with specifications on order

**Material traceability:**  
 - Mark part/structure with a unique GM-number supplied by Gleipnir AS on order  
 - All plates of a welded structure to be marked with the material certificates Charge ID

**Material Requirements in acc with:** GLST-Z-SA-0001



Split pin and safe guard bolt attached with lanyard to the blockhouse



**Technical specifications**

SWL (wire pull): 20T  
 DL (wire pull) = SWLxDAF = 26T  
 DL in head fitting: 52T

Wrapped angle: 180°  
 Fleet angle: 2°  
 DAF: 1.3  
 Wire size: Ø34 mm

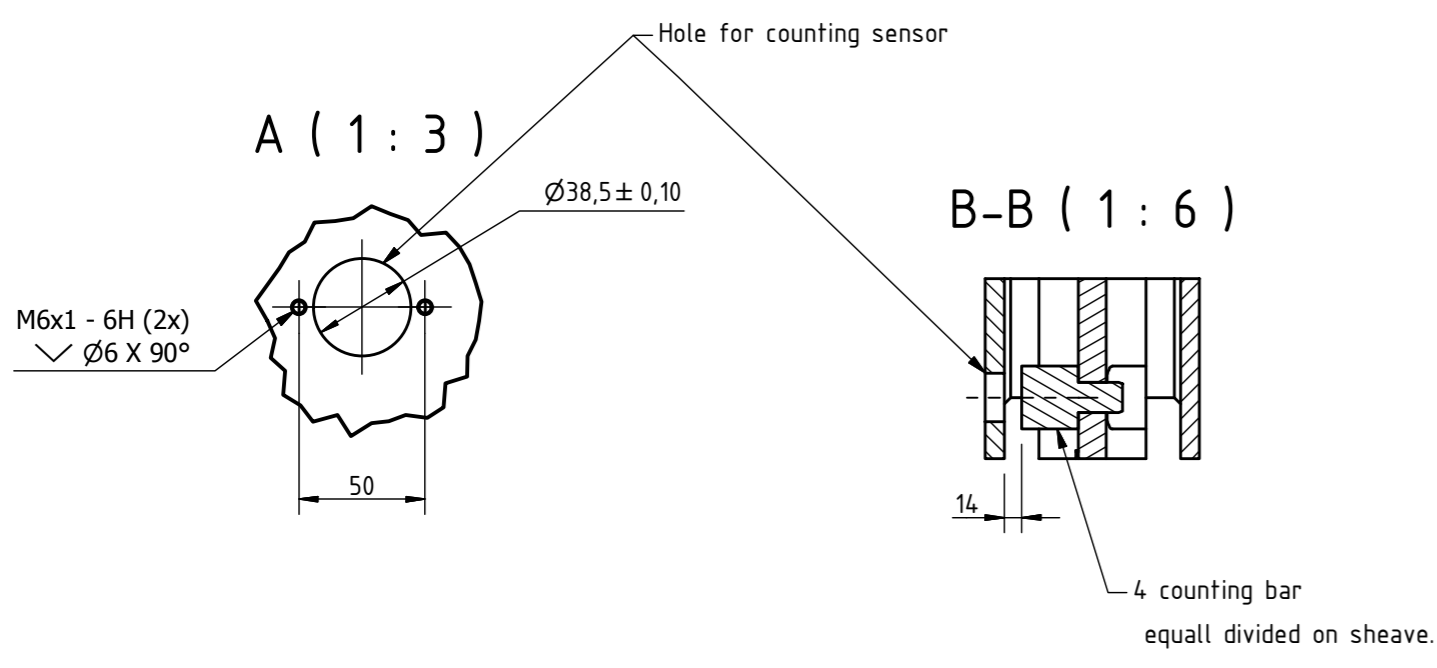
Design temprature (TD): -20°C

Top connection: Green Pin Shackle G4163 WLL 4.25T class 80 quality

**NOTES:**

Design, materials and manufacturing in acc. with:  
 1) DNV, rules for certification No. 2.22, Lifting appliances, 2013

Is it up to operator to ensure that the real dynamic coefficient does not exceed the design dynamic coefficient.



21	1	Lanyard - Ø3.5, L=500mm		
20	1	Green pin standard shackle - 4.25T - class 80 quality	G-4163	3,6 kg
19	2	Lubricating nipple, G1/8"	DIN 71412A	0 kg
18	1	Split Pin - 5x40	DIN 94	0 kg
17	1	Nut - M24	DIN 934	0,1 kg
16	8	Screw - M20x30	DIN 933	0,1 kg
15	4	Screw - M10x25	DIN 7991	0 kg
14	8	Washer - M20	Nordlock	0 kg
13	1	Washer - M24	DIN 125-A	0 kg
12	1	Sliding bearing - J - A - 82x125/10	02767-0	0,6 kg
11	1	Key - 10x20x110	02763-0	0,2 kg
10	1	Nut cover - M80x6	02762-0	0,5 kg
9	1	Nut - M80x6 - 37	02761-1	5,4 kg
8	4	Axle holder - P - 21x140 - 190x50/12	02692-0	0,8 kg
7	1	Safe guard bolt - M24x24x172	03697-0	0,8 kg
6	1	Sliding bearing - J - R - 80x90/70	03696-0	0,7 kg
5	2	Sheave spacer - 130x200x22.5	03695-0	0,4 kg
4	1	Bearing pin - AP -12 - 130x170	03694-0	22,9 kg
3	1	Headfitting - R - M80x6 - 75 - 52	03693-0	17,4 kg
2	1	Blockhouse	03692-0	172,9 kg
1	1	Sheave - DI - 640x740/95	01817-1	103,9 kg

Desg. by:	ID	15.06.2016	Document type:	Document status:	Scale:	Projection:	Sheet size:	Ref:
Chck. by:	PS	15.06.2016	-GA drawing-	-under approval-	1:6		A2	03691-0
Appr. by:	JAV	15.06.2016						

**GLEIPNIR**  
 Gleipnir AS  
 Haraldsgata 140 - N-5527 HAU  
 www.gleipnir.no - post@gleipnir.no

Title: Reeve block - W - CS - Ø640x140-1-R-52

Drwg. No.: 03690-0

Rev.: 0

Sheet: 1 / 1

Total Weight.: 335 kg

This document and all information and data disclosed herein or herewith are the confidential and proprietary property of GLEIPNIR AS. Contravention will be prosecuted and are not to be used, reproduced or disclosed in whole or in part by or to anyone without the written permission of GLEIPNIR AS.