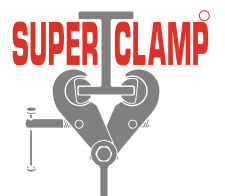
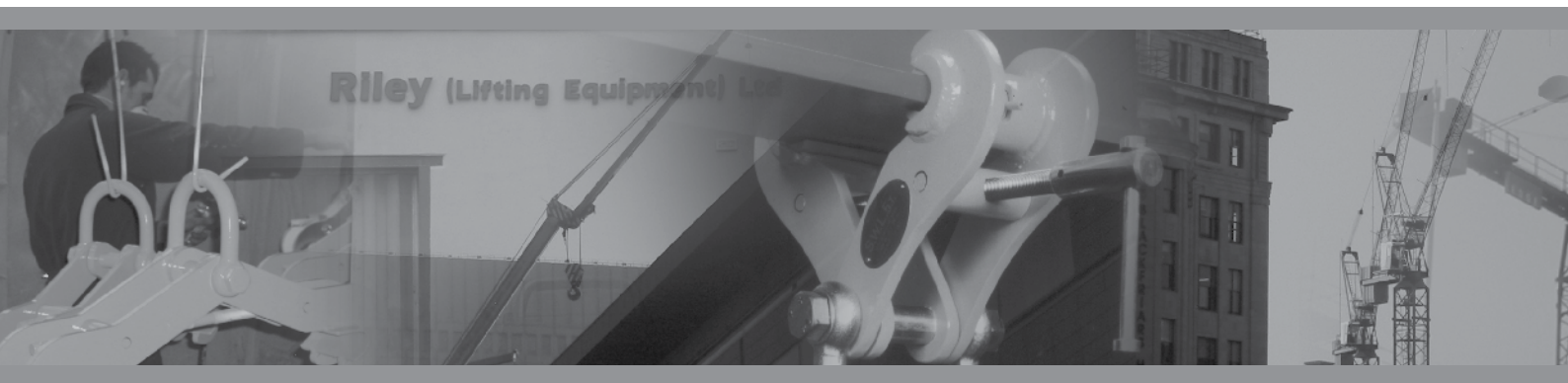
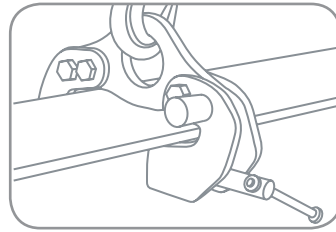
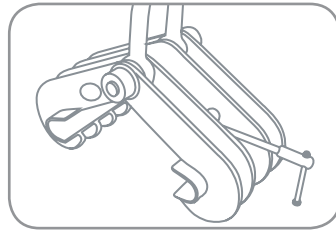
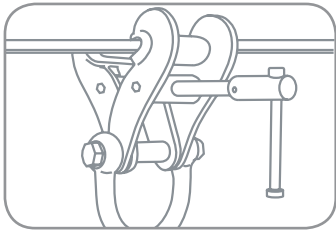


Riley (Lifting Equipment) Ltd



Worldwide Suppliers
of **Super Clamp**





Catalogue Content

Company Profile	1
Girder Clamps	2 - 15
Beam Trolleys	16 - 20
Universal Super Clamps	21
New Products	22 - 24
Useful Information	25 - 28

Riley

Specialists in:

SUPERCLAMP Adjustable Girderdogs

Geared Runway Beam Trolleys

Swivel Jaw Girder Clamps

Adjustable Runway Beam Trolleys

Adjustable Monorail Clamps

Fixed Jaw Adjustable Clamps

Universal Side Load SUPERCLAMPs

The **SUPERCLAMP** Trade Mark is one of the leading names in lifting equipment attachments World Wide. At Riley Lifting our **SUPERCLAMP** products are synonymous with both practical design and high quality.

Our design and manufacturing expertise at Riley Lifting, backed up by the professional support of our distributor network, means that **SUPERCLAMP** products are some of the most cost effective labour and time saving lifting devices of this type in the World Market today.

Riley Lifting are committed to developing the most practical lifting equipment attachments whilst keeping safety, speed of application and user requirements in mind.

We are constantly developing and expanding our **SUPERCLAMP** product range to ensure that we are able to meet the ever changing needs of our customers.

The Universal **SUPERCLAMP** is a unique lifting gear product which is designed not only for vertical use, but for side load applications where conventional clamps are unsuitable. Unlike other clamps the Universal **SUPERCLAMP** is extremely versatile in application and can only be used for lifting, pulling or as an anchor point.

It can be loaded at any angle and eliminates the use of spreader beams in various lifting operations. With a low headroom anchor point, it can be used as a single or twin point lifting, giving positive grip and quick applications combined with lightweight construction without the use of additional tools.

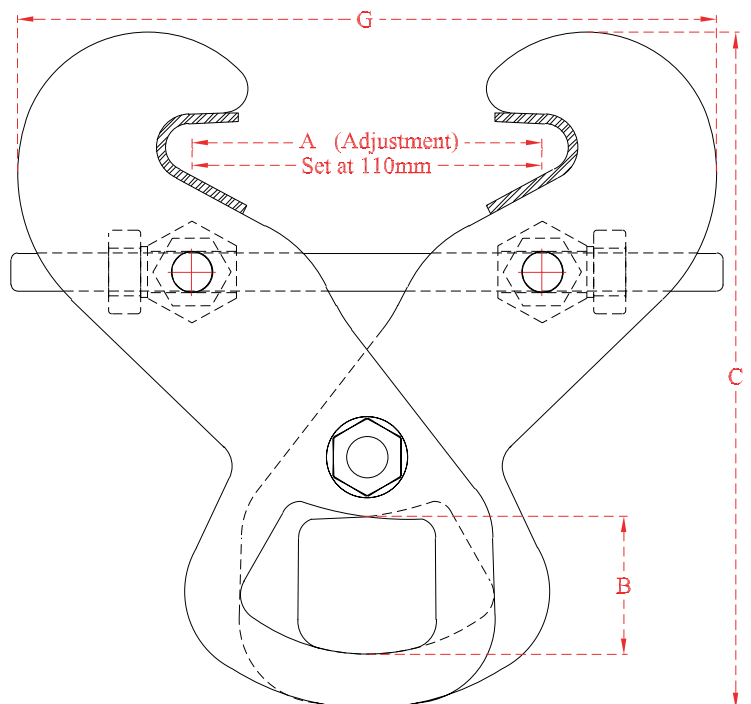
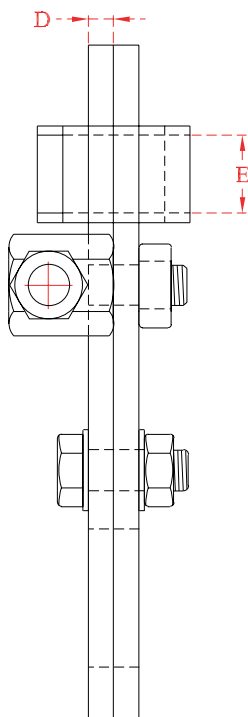
Permanently Fixed **SUPERCLAMP** Adjustable Girder Clamps

Incorporating Lifting Eye and Adjusting Bar.

These girder clamps are designed for light industrial applications; particularly where a permanent overhead anchor point is required. These high strength inexpensive lightweight clamps are excellent for application in small garages and hobbyist workshops.

As with all **SUPERCLAMP** products each PFC unit is proof loaded and supplied with a certificate of test and inspection.

Model	WLL	Dimensions						Weight
		A	B	C	D	E	G	
PFC1	1016kg	96-190	38	212	6	22	220	2kg
PFC2	2032kg	96-190	38	212	8	22	220	2.5KG



SUPERCLAMP

Plate Lifting Clamp

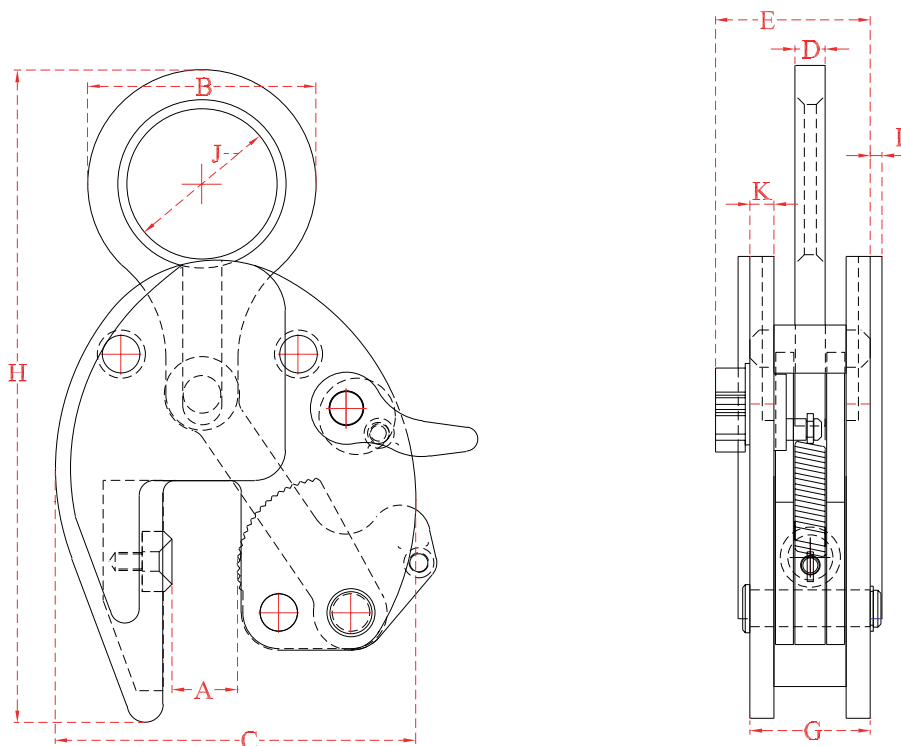
Incorporating Locking Mechanism.

SUPERCLAMP Horizontal to Vertical Plate Lifting Clamp has been developed to provide the user with a safe to use and easy to handle plate lifting tool.

The locking mechanism provides an additional safety feature for the operator.



Model	WLL	Dimensions										Weight
		A	B	C	D	E	G	H	J	K	L	
PLC1	1016Kg	20	76	120	10	52	40	217	50	8	N/A	3kg
PLC2	2032kg	32	105	173	15	60	48	316	70	10	N/A	6.5kg
PLC3	3048kg	32	122	180	20	74	57	330	76	10	6	9kg
PLC4	4064kg	32	140	188	25	87	67	370	80	10	8	12.5kg

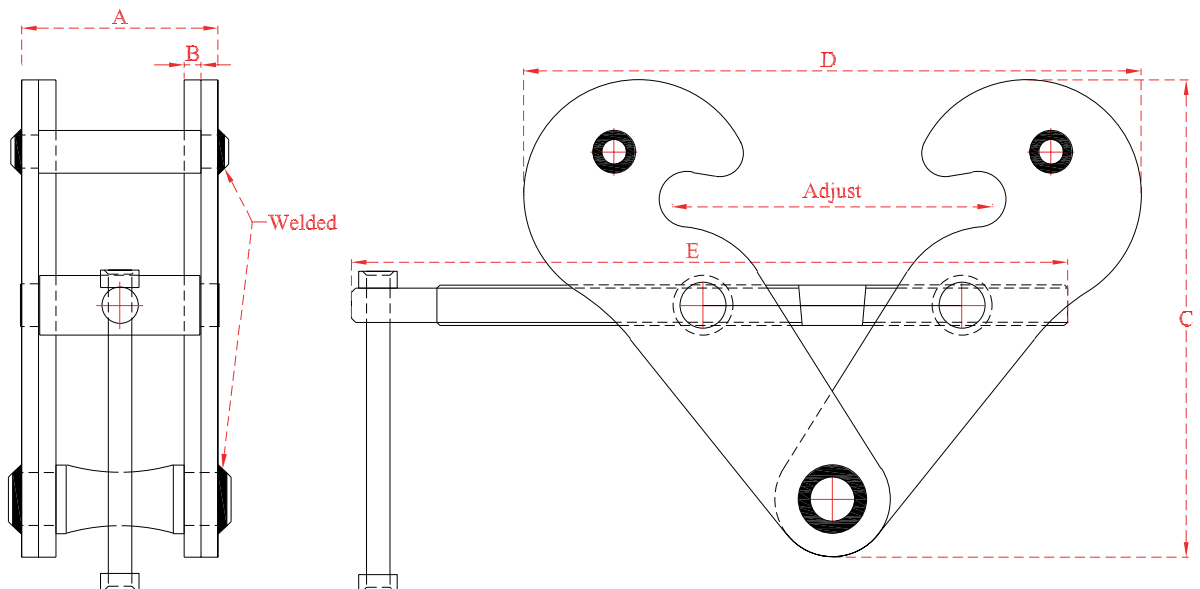




ES SUPERCLAMP Adjustable Girder Clamps

A lightweight low cost girderclamp with low headroom anchor point, makes this a highly recommendable unit for most industrial applications.

Model	WLL	Adjust	Dimensions					Weight
			A	B	C	D	E	
ES1	1016kg	50-200	66	4	209	282	335	3.5kg
ES2	2032kg	50-200	74	6	209	282	335	4.5kg
ES3	2032kg	100-300	74	6	331	434	525	8kg
ES4	3048kg	50-200	92	8	223	289	335	6.5kg
ES5	3048kg	100-300	92	8	331	434	525	10kg
ES6	5080kg	50-200	110	12.5	269	322	335	12.5kg
ES7	5080kg	100-300	110	12.5	331	434	525	14.5kg



SUPERCLAMP

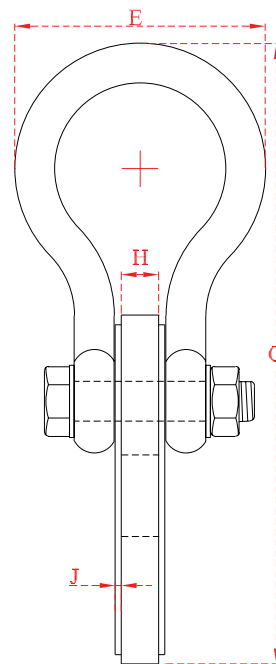
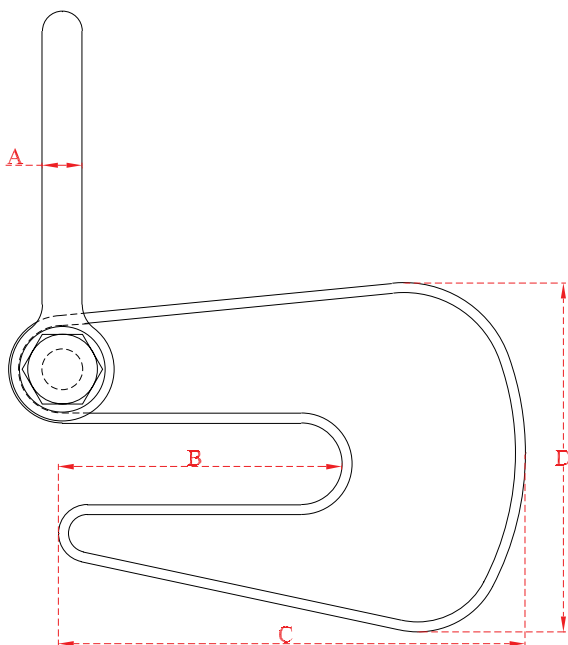
Pipe Hooks

Incorporating lifting shackle.

SUPERCLAMP pipe hooks are designed to be used in pairs for efficient and easy handling of pipes.



Model	WLL Per Pair	Max Pipe Wall Thickness	Dimensions								Weight
			A	B	C	D	E	G	H	J	
PH1	1016kg	25mm	16	134	206	144	98	223	15	N/A	6kg
PH2	2032kg	30mm	16	137	214	159	98	232	20	N/A	8kg
PH3	4064kg	40mm	20	142	235	176	126	312	25	N/A	15kg
PH4	6096kg	50mm	25	186	316	229	117	307	20	10	17.5kg
PH5	8128kg	70mm	25	218	373	301	117	376	20	10	26kg





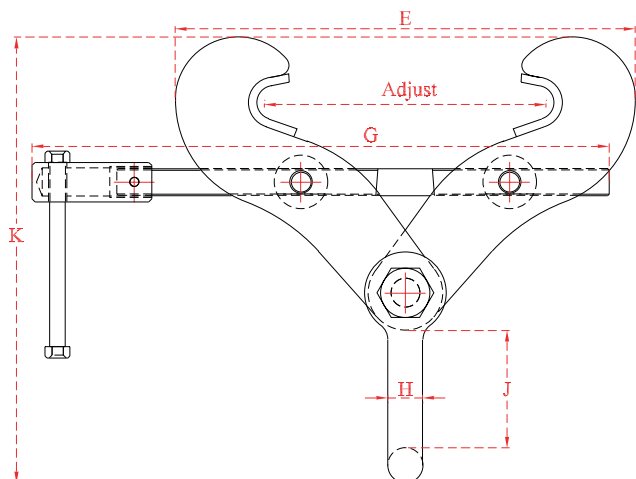
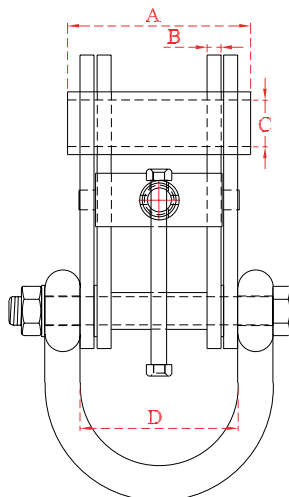
Fixed Jaw **SUPERCLAMP** Adjustable Girder Clamps

Incorporating Adjusting Mechanism and Lifting Shackle.

These girder clamps are truly versatile in application and may be used for lifting, pulling, or as an anchor point. Designed specifically to provide maximum jaw grip adjustment.

These products are engineered for practical use where mobility is essential. The clamps are speedily applied and do not require additional tools or width adjusting components, such as spacing washers. The left and right-hand threaded adjusting bar ensures a secure grip on the beam flange.

Model	WLL	Adjust	Dimensions									Weight
			A	B	C	D	E	G	H	J	K	
S1	2032kg	76-190	125	3	22	90	188	275	20	77	250	4kg
S2	3048kg	76-190	125	6	22	90	188	275	20	77	250	5kg
S2A	3048kg	76-190	130	12.5	22	102	250	275	20	103	268	8kg
S2AX	3048kg	127-350	130	12.5	22	102	375	560	20	102	373	11.5kg
S3	4064kg	150-254	130	10	22	112	327	410	25	98	332	11kg
S3A	5080kg	150-305	140	12.5	32	116	373	410	25	110	360	15kg
S3X	5080kg	76-190	130	12.5	22	116	237	295	25	110	300	10kg
S4	7112kg	101-228	140	12.5	42	118	323	410	32	120	382	17.5kg
S4A	10160kg	203-457	140	20	42	118	498	560	32	112	476	28kg
S4S	6096kg	203-457	140	12.5	42	116	498	560	25	110	459	18.8kg
S12	15241kg	203-457	170	20	50	116.5	611	660	40	185	616	49.5kg
S14	15241kg	406-610	175	20	63	116.5	795	810	40	185	673	58.5kg



Swivel Jaw SUPERCLAMP Adjustable Girder Clamps

Incorporating Machined Jaw, Adjusting Mechanism and Lifting Shackle.

Swivel jaw adjustable girder clamps incorporate the additional benefit of horizontal jaw adjustment.

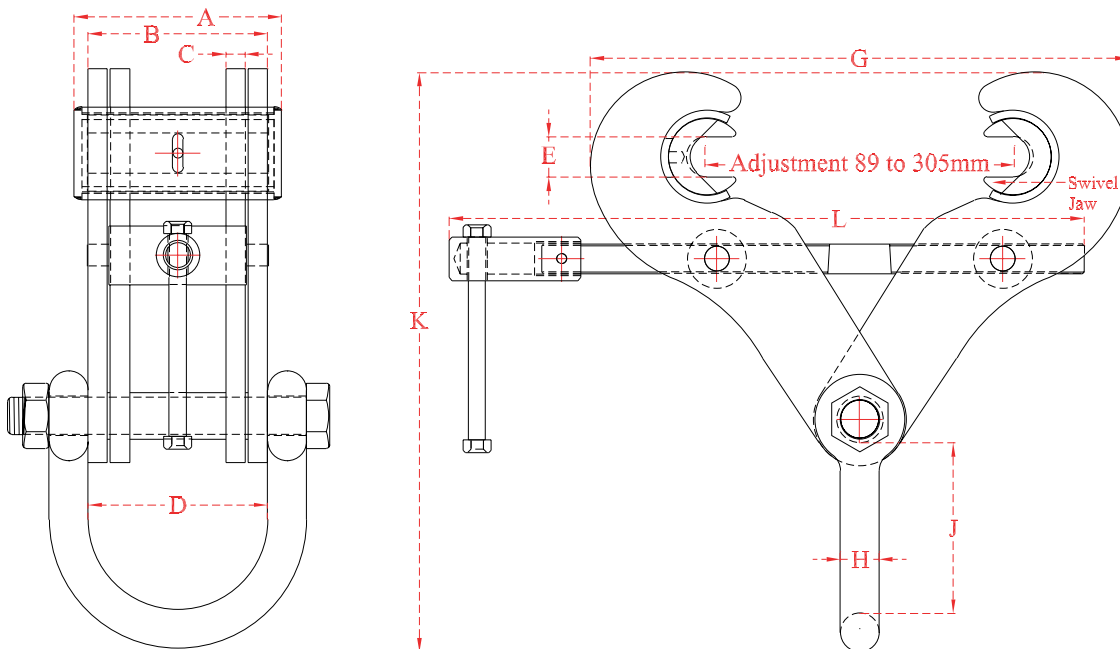
This enables the full length and a maximum width of the swivel jaw to anchor evenly on a considerable surface area of the beam flange.

The 'Swivel Jaw' range of SUPERCLAMP products are designed to ensure ease of application.

Additional tools or width adjusting components are not required since the left and right hand threaded adjusting bar will adjust to the jaw grip from 89mm to 305mm (3½" to 12").



Model	WLL	Dimensions										Weight
		A	B	C	D	E	G	H	J	K	L	
S5	3048kg	134	93	6	95	25.4	348	20	102	359	410	10kg
S5A	3048kg	134	116	10	116	25.4	348	25	110	375	410	14kg
S6	5080kg	134	116	10	116	25.4	348	25	110	375	410	14kg
S6A	5080kg	134	116	12.5	116	25.4	348	25	110	375	410	15.5kg
S11	10160kg	134	118	20	118	25.4	348	32	112	391	410	21.5kg





Fixed Jaw **SUPERCLAMP** Adjustable Girderdogs

Incorporating Adjusting Mechanism and Lifting Shackle.

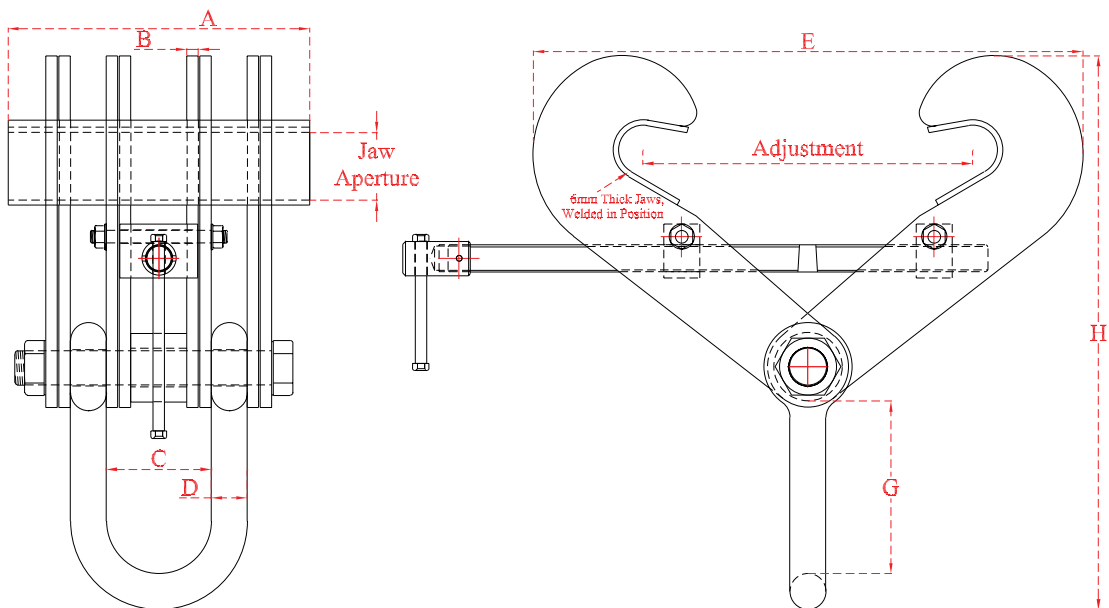
SUPERCLAMP Girderdogs incorporate all the reputedly excellent and reliable design features for which our products are known.

The Girderdogs design is enhanced by a well balanced distribution of side plates, ensuring maximum grip and hold over an adequate length of girder or beam flange.

They are safe in use, and once in position, are speedily applied to a steel beam.

No additional width adjusting tools or components are required.

Model	WLL	Adjust	Jaw Aperture	Dimensions								Weight
				A	B	C	D	E	G	H		
S15	20320kg	203-457	51mm	335	12.5	116	40	756	185	616	65.5kg	
S16	20320kg	406-610	63mm	350	12.5	116	40	795	185	673	77kg	
S17	25400kg	203-457	51mm	335	15	130	45	611	192	621	75.5kg	
S18	25400kg	406-610	63mm	350	15	130	45	795	185	678	90kg	
S19	30480kg	203-457	63mm	350	20	130	45	624	185	626	92kg	
S20	30480kg	406-610	76mm	350	20	130	45	785	185	691	107kg	



Adjustable Double Ended **SUPERCLAMP** Monorail Construction Clamp

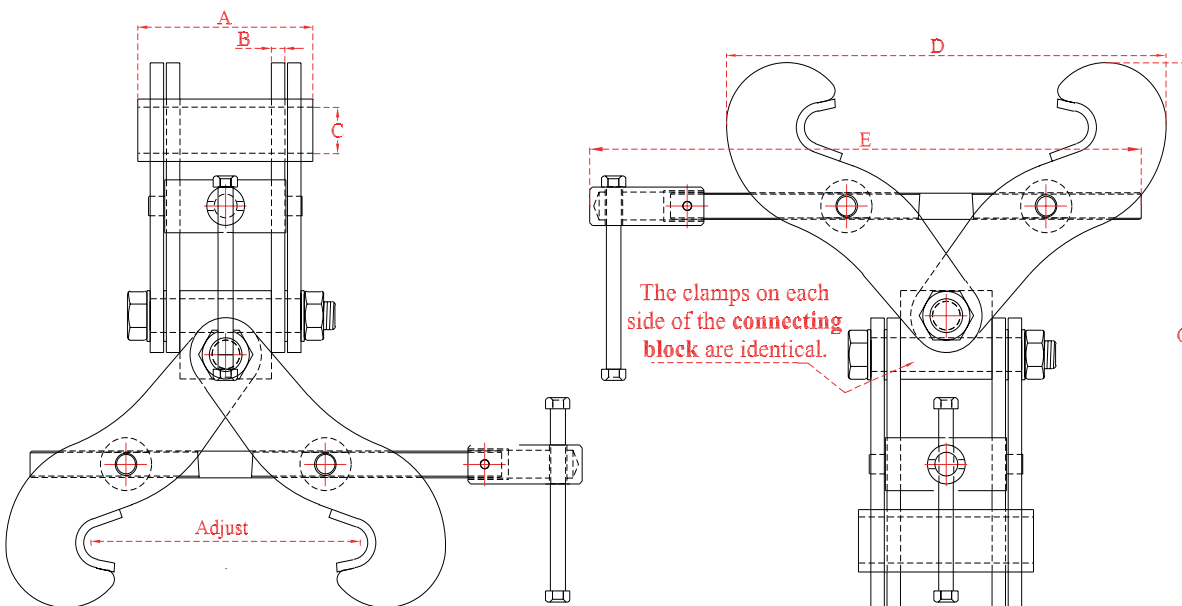
Incorporating Stationary Height Stabilizer Block.

These monorail construction clamps are designed to enable speedy erection of permanent or temporary overhead conveying systems, where existing steel girders are of an adequately balanced horizontal level.

Both clamps are fully adjustable by operating the left and right hand threaded adjusting bars incorporated into the unit. The designed-in stationary height stabilizer block ensure a rigid construction of the unit. Additional tools or width adjusting components are not required to apply the unit onto existing steel girders.



Model	WLL	Adjust	Dimensions						Weight
			A	B	C	D	E	G	
S7	3048kg	76-190	120	6	22	188	275	298	9kg
S8	4064kg	150-254	130	10	22	327	410	392	18.5kg





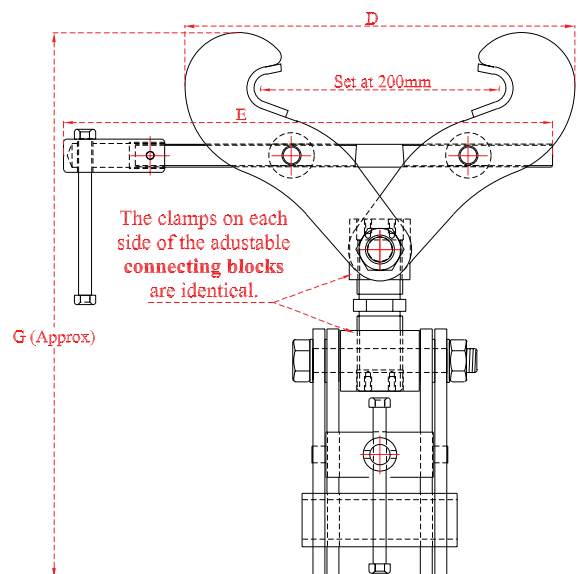
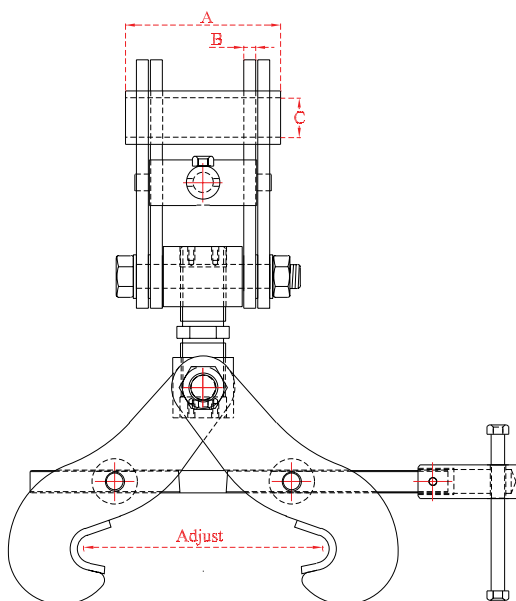
Adjustable Double Ended **SUPERCLAMP** Monorail Construction Clamp

Incorporating Height Adjustment Mechanism.

Monorail construction clamps incorporating a height adjusting mechanism are speedily applied to existing steel girders, so as to expedite erection of a conveying system.

They are provided with the facility to adjust the conveying girder in height where required. Their width and height adjusting capabilities make these versatile units an inexpensive, safe, and time saving proposition for the construction of a reliable permanent or temporary overhead conveying system.

Model	WLL	Adjust	Dimensions						Weight
			A	B	C	D	E	G	
S7A	3048kg	76-190	120	6	22	188	275	366	10.5kg
S8A	5080kg	150-254	130	10	22	327	410	457	20kg



SUPERCLAMP Horizontal Plate Lifting Clamps

Incorporating Lifting Shackle.

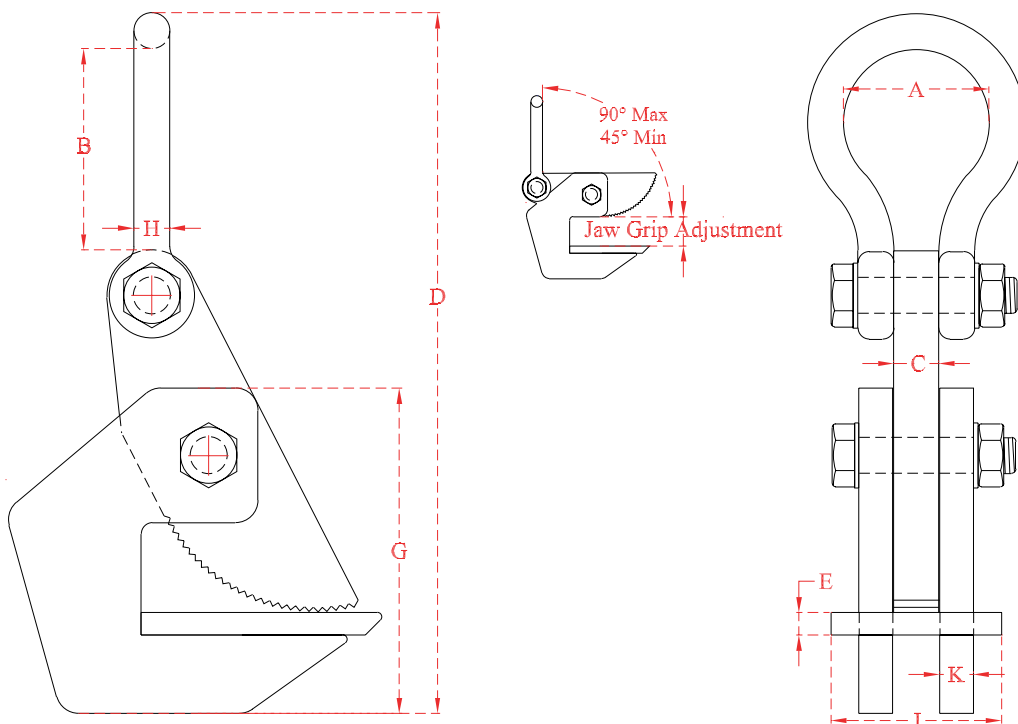
Horizontal plate lifting clamps are designed to be used as original SUPERCLAMP in pairs only.

Their rigidly competent designs incorporate an easily replaceable toothed cam toe which ensures maximum grip and hold. The standard jaw apertures allow for a wide range of mild steel plate thickness to be horizontally lifted. Parts are easily replaceable.

SUPERCLAMP horizontal plate lifting clamps are equipped with a lifting shackle, and easily replaceable components.



Model	WLL		Dimensions										Weight
	Per Pair	Adjust	A	B	C	D	E	G	H	J	K		
HPC1	1524kg	0-38mm	65	90	20	312	10	145	16	76	15	6kg	
HPC2	2032kg	0-50mm	65	90	20	140	10	168	16	76	15	7kg	
HPC3	3048kg	0-76mm	86	135	25	463	12.5	214	20	90	20	14.5kg	
HPC4	4064kg	0-101mm	86	135	25	523	12.5	271	20	90	20	20.5kg	





Adjustable **SUPERCLAMP** Angle Section Clamps

Incorporating 'V-Block' Clamping Jaw

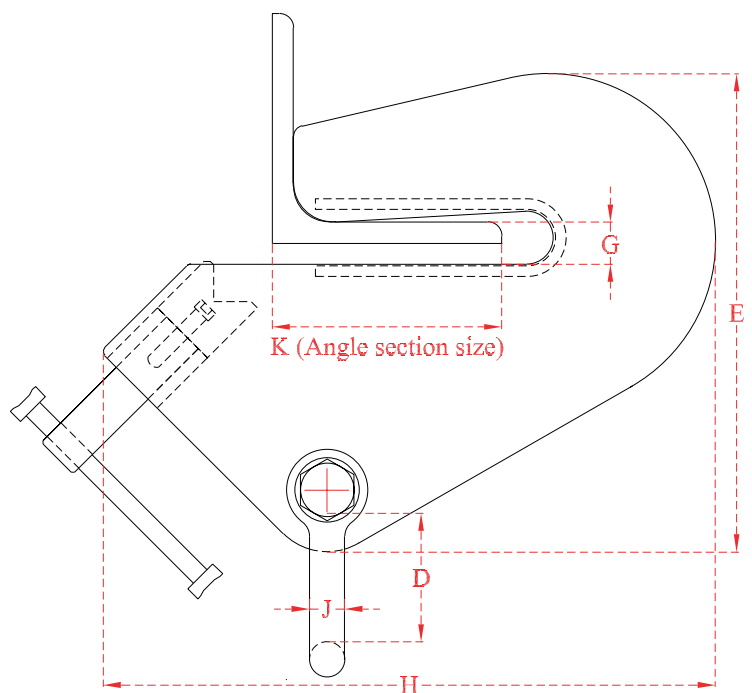
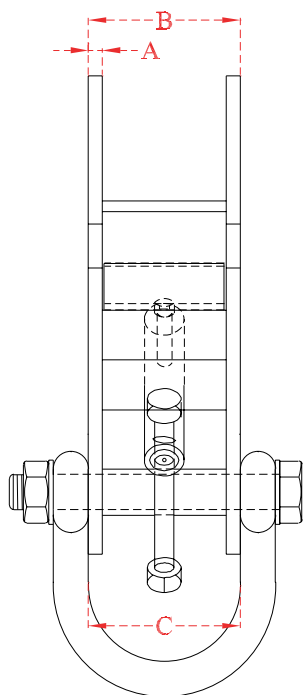
This **SUPERCLAMP** product serves as an anchor or lifting point when attached to an overhead steel angle section approved for lifting applications.

The V-Block clamping jaw ensures that the clamp is securely fixed to the angle section when adequately tightened.

These clamps are designed for safety and versatility - each model being suitable to accommodate a wide range of steel angle sections.

No tools required as the adjusting mechanism is an integral part of the design features, and incorporates an adjusting bar with handle.

Model	WLL	Dimensions									Weight
		A	B	C	D	E	G	H	J	K	
AC1	508kg	4	65	70	102	206	15	258	16	38-101	4.5kg
AC2	1016kg	6	69	70	96	206	15	258	16	38-101	5.5kg
AC3	1524kg	8	86	90	73	270	19	346	20	50-152	11kg
AC4	3048kg	10	90	102	101	343	25.4	490	20	101-203	21.5kg



Adjustable SUPERCLAMP Pipe and Round Section Lifting Clamps

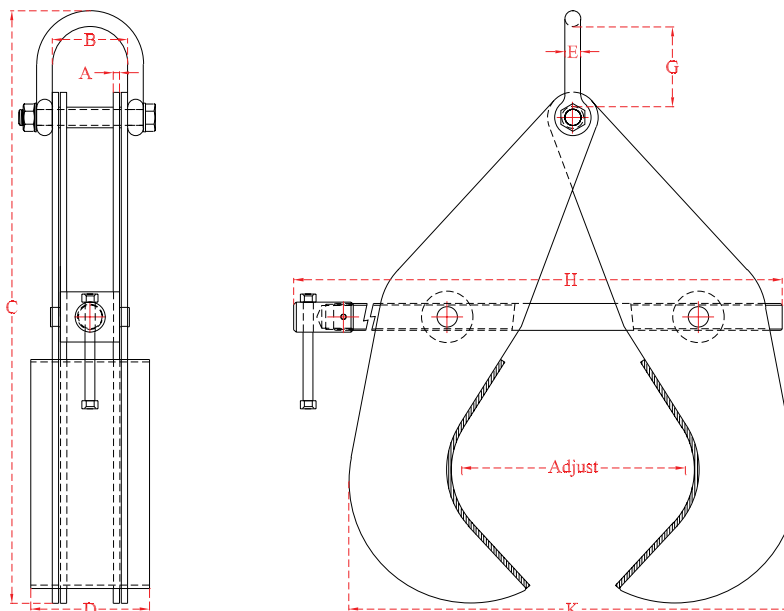
Incorporating lifting Shackle and Adjusting Mechanism.

SUPERCLAMP pipe lifting clamps are designed for efficient and easy handling of cylindrical objects such as pipes or bars.

The clamp is readily applied to cylindrical objects, and the adjustable jaw grip allows for a wide range of cylindrical diameters of sections to be lifted. Also suitable as an anchor point. No tools required. The lifting clamp comes complete with designed-in lifting shackle and width adjusting mechanism incorporating a left and right hand threaded adjusting bar with handle.



Model	WLL	Adjust	Dimensions								Weight
			A	B	C	D	E	G	H	K	
P1	1016kg	63-115	6	72	343	80	16	99	290	215	7kg
P2	1524kg	101-178	8	75	434	110	16	99	400	331	12.5kg
P3	2032kg	127-228	8	75	506	110	16	99	470	388	16.5kg
P4	3048kg	178-279	8	95	609	125	20	101	550	462	26.5kg
P5	3048kg	203-330	8	95	674	140	20	101	610	508	31.5kg
P6	3048kg	228-381	8	95	749	150	20	101	670	566	36kg
P7	3048kg	254-432	8	95	810	165	20	101	700	636	50kg
P8	4064kg	305-482	8	118	902	165	25	112	790	755	63.6kg
P9	4064kg	406-610	8	118	1087	176	25	112	890	915	76.6kg





Adjustable **SUPERCLAMP** Bulb Flats Section Clamps

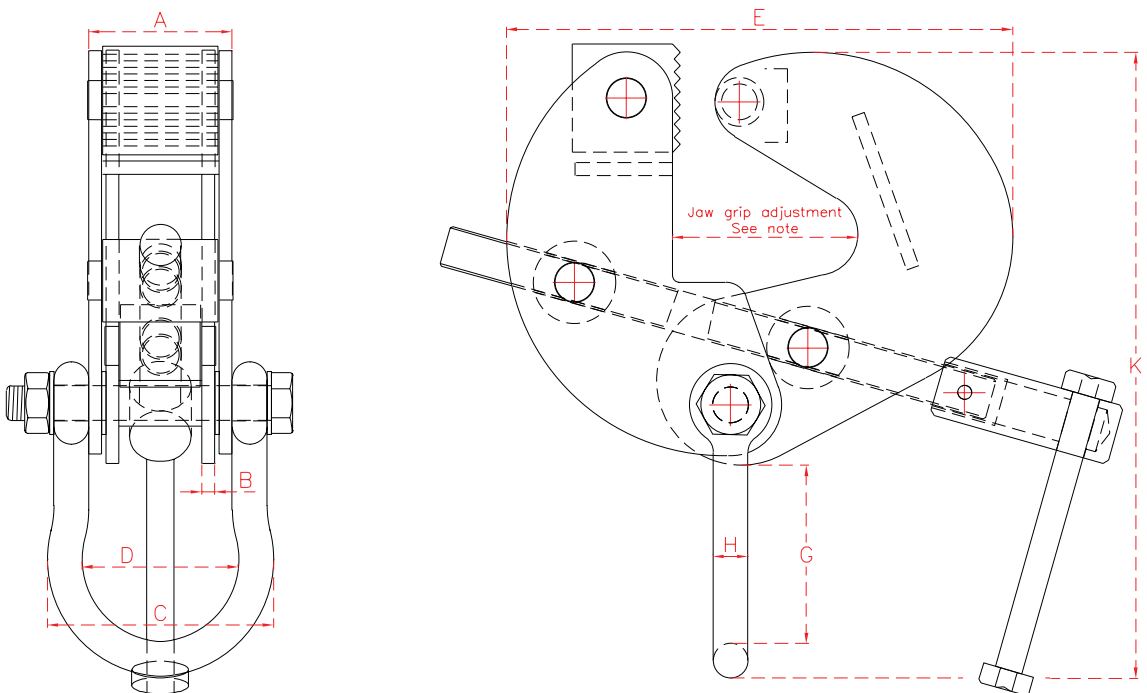
Incorporating Hardened Jaws, Adjusting Mechanism and Lifting Shackle.

The **SUPERCLAMP** bulb flats section clamp offers the benefit of maximum adjustability to fit standard dimensions of bulb flats steel sections.

These clamps are primarily developed for a multitude of applications in civil and marine engineering, construction and maintenance.

The adjusting bar secures maximum adjustability, and eliminates the use of additional tools or width adjusting components.

Model	WLL	Dimensions								Weight
		A	B	C	D	E	G	H	K	
BFC1	1016kg	66	6	104	72	233	82	16	289	7kg
BFC2	3048kg	102	10	142	102	233	87	20	298	12kg



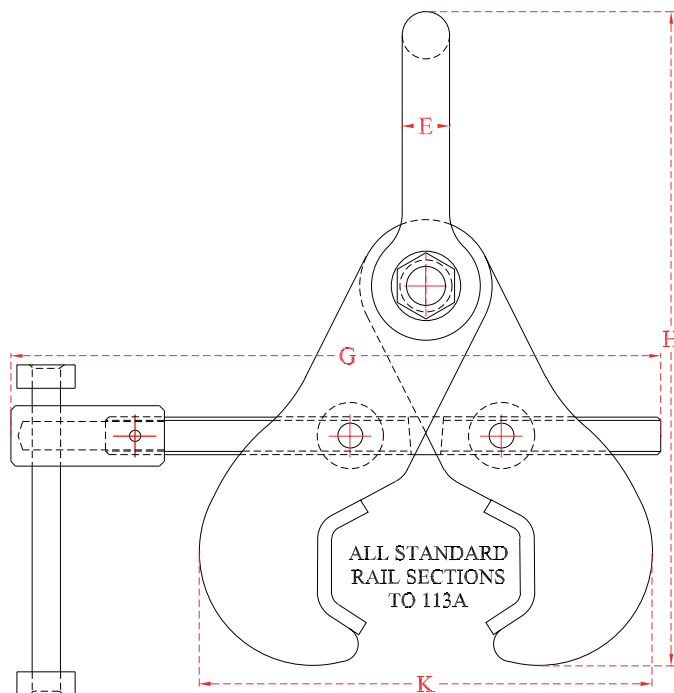
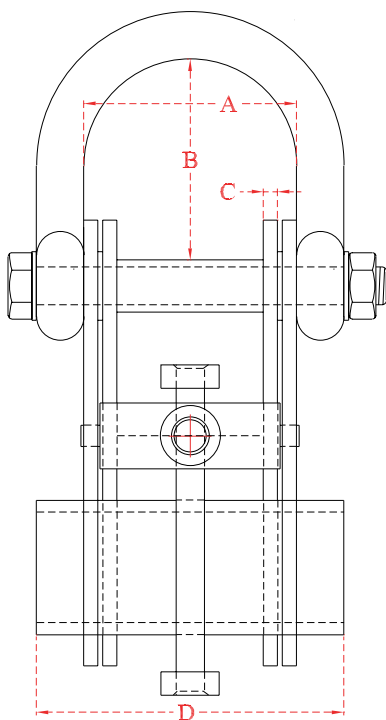
Adjustable SUPERCLAMP Rail Lifting Clamps

Incorporating Adjusting Mechanism and Lifting Shackle

Developed for standard rail sections, the SUPERCLAMP rail lifting clamp provides a reliable and secure grip on the rail when tightened. Its lightweight, versatile adjustability and low maintenance requirements makes this SUPERCLAMP product a highly recommendable unit for all engaged in rail construction, rail maintenance and rail manufacture.



Model	WLL	Dimensions								Weight
		A	B	C	D	E	G	H	K	
R1	3048kg	90	85	6	130	20	275	277	192	6kg
R2	5080kg	116	110	12.5	130	25	275	311	192	9.5kg





Adjustable Lightweight **SUPERCLAMP** Runway Beam Trolleys

Incorporating Wheelguarding Anti-Drop Plates, Width Adjusting and Lifting Shackle.

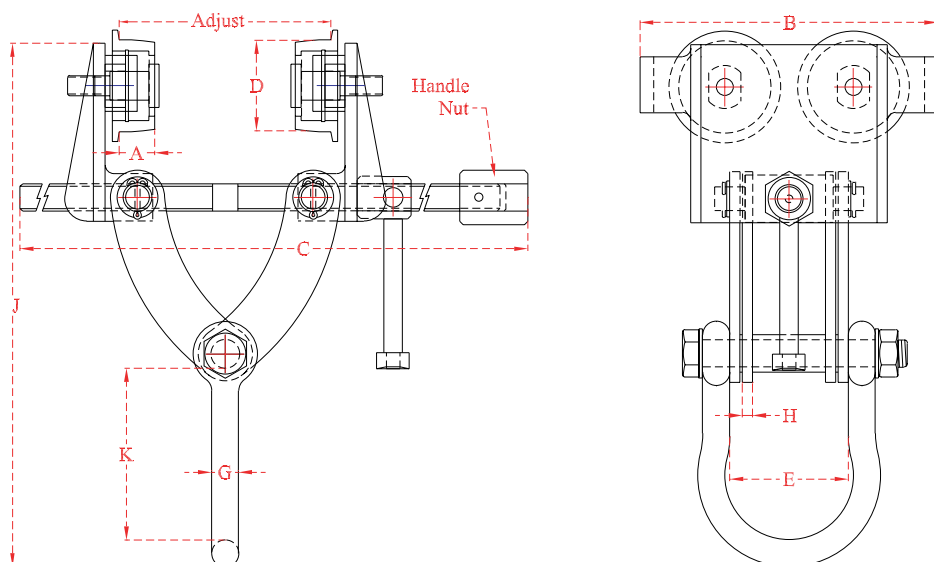
This range of lightweight hand push **SUPERCLAMP** runway beam trolleys offers easy to use mobile securing attachments for load and lifting requirements. Developed for lighter industrial application, this product range is completely recommended for maintenance departments and must be an integrated part of every engineers tool kit.

The left and right hand threaded adjusting bar only requires turning so as to ensure appropriate adaptation to a beam width, and the trolley is ready for use.

No additional tools or width adjusting components are required.

Fitted with a width adjustment locking mechanism and wheelguarding anti-drop plates, this range of products could well be one of the great innovations to secure safety and health in the home workshop and at work.

Model	WLL	Adjust	Max flange Thickness	Dimensions										Weight
				A	B	C	D	E	G	H	J	K	L	
BA1	1016kg	63-203	25.4mm	14	176	360	46	70	16	6	309	101	245	6.5kg
BA2	1524kg	76-203	25.4mm	21	176	360	54	70	16	6	309	101	241	7kg
BA3	2032kg	76-203	25.4mm	21	176	360	54	70	16	8	309	101	241	7kg



Adjustable SUPERCLAMP Runway Beam Trolleys

Incorporating Wheelguarding Anti-Drop Plates, Width Adjusting and Lifting Shackle.

SUPERCLAMP adjustable runway beam trolleys B1, B2 & B3, are of acknowledged and experienced design. The unique quality features of this new range of manual traveling gear are the wheel guarding anti-drop plates, which are incorporated into the practical design of these transferable and mobile securing attachments. To compliment this range, reference is made to **SUPERCLAMP** geared runway beam trolleys which allow additional ease of load conveyance.

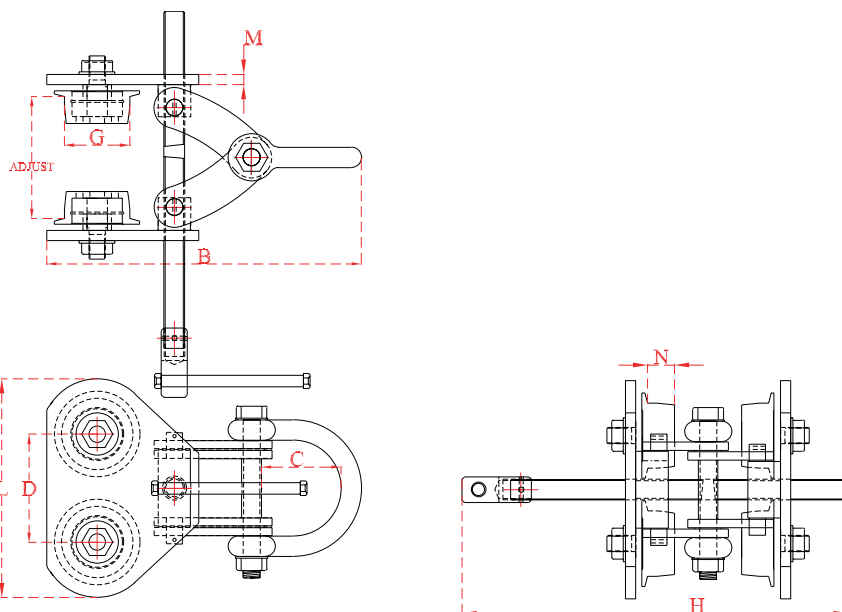
The left and right hand threaded adjusting bar only requires turning so as to ensure appropriate adaptation to a beam width, and the trolley is ready for use.

No additional tools or width adjusting components are required.

Fitted with a width adjustment locking mechanism and wheelguarding anti-drop plates, this range of products could well be one of the great innovations to secure safety and health in the home workshop and at work.



Model	WLL	Adjust	Max flange Thickness	Dimensions								Weight
				B	C	D	G	H	L	M	N	
B1	3048kg	76-203	28mm	395	112	133	82	480	269	12.5	33	23.5kg
B2	6096kg	105-305	32mm	515	100	176	125	560	356	15	34	50kg
B3	10160kg	160-305	38mm	570	130	200	145	785	430	15	41	74.5kg



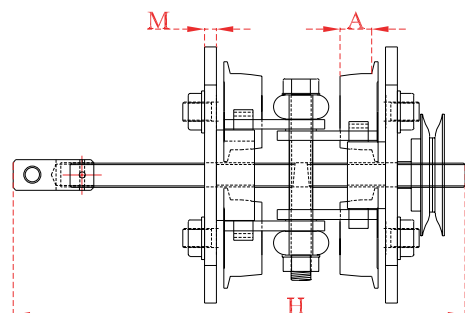
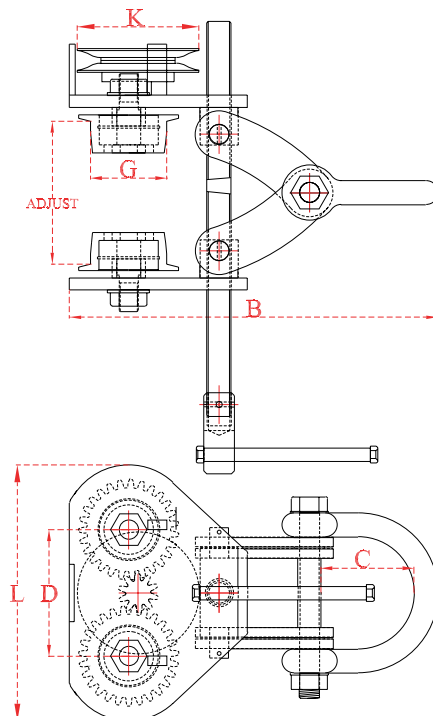


Adjustable **SUPERCLAMP** Geared Runway Beam Trolleys

Incorporating Wheel guarding Anti-Drop Plates, Width Adjusting and Chain Wheel, Chain, and Lifting Shackle.

SUPERCLAMP geared runway beam trolleys have taken requirements of the user into consideration. Designed and manufactured with wheelguarding anti-drop plates, this product range assures ease of application in use, maximum safety and hold, and low maintenance requirements. As with all **SUPERCLAMP** products, the quality is of the highest standard to comply with user requirements. Standard 3 metre (10 ft) drop of chain supplied, extra lengths upon request.

Model	WLL	Adjust	Max flange Thickness	Dimensions									Weight
				A	B	C	D	G	H	K	L	M	
GBT1	3048kg	76-203	28mm	33	395	112	133	82	475	130	269	12.5	31kg
GBT2	6096kg	105-305	31mm	34	515	100	176	125	560	130	356	15	57.5kg
GBT3	10160kg	160-305	38mm	41	570	130	200	145	560	230	430	15	83kg
GBT4	15270kg	203-457	76mm	50	865	205	246	190	785	230	512	20	160.5kg
GBT5	20363kg	203-457	76mm	50	970	223	292	220	785	230	610	20	199.5kg



Autolock **SUPERCLAMP** Runway Beam Trolley

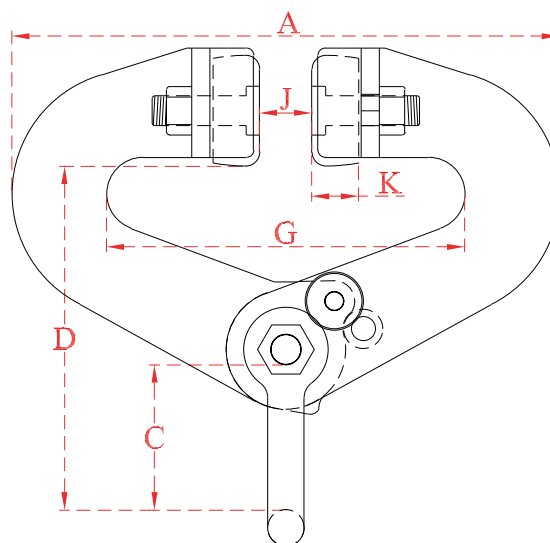
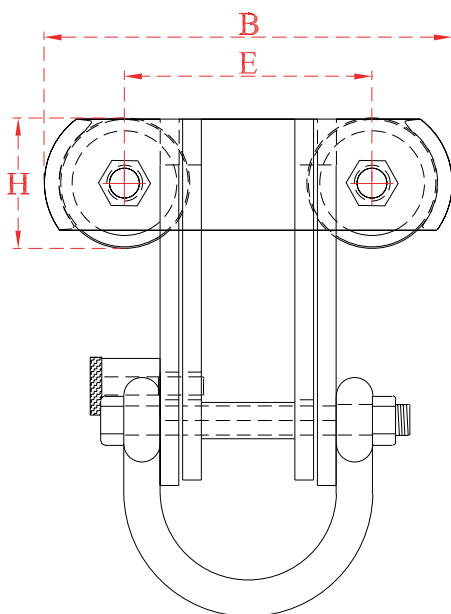
**Incorporating Wheelguarding Anti-Drop Plates,
Lifting Shackle.**

A self locking **SUPERCLAMP** unit with wheel guarding anti-drop plates designed for maximum speed of application, minimum maintenance requirements and maximum safety.

The practical and versatile design provides the user with a high quality product, tailored to the needs of those persons who require the use of securing attachments for their lifting operations.



Model	WLL in pairs	Max flange Thickness	Dimensions									Weight
			A	B	C	D	E	G	H	J	K	
A1	3048kg	28mm	380	280	110	250	170	76-230	82	30	32	21kg
A2	6096kg	30mm	500	296	110	290	170	100-305	88	40	38	33kg
A3	10160kg	30mm	580	290	135	310	170	100-305	109	40	38	47.5kg



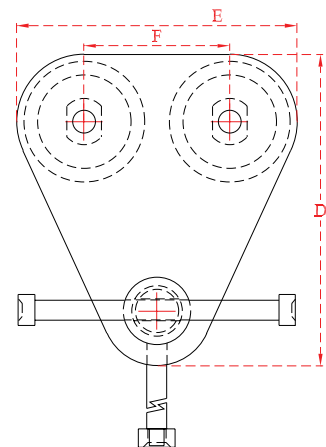
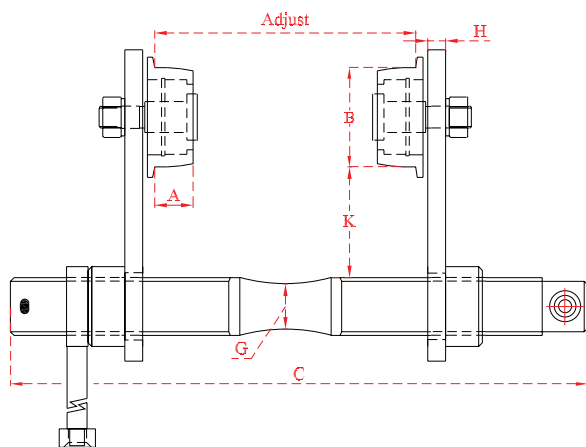


Adjustable SUPERCLAMP Push Travel Trolley

Incorporating adjustment by turning load shaft.

A lightweight low cost push travel trolley with low headroom anchor point, makes this a highly recommendable unit for most industrial applications.

Model	WLL	Adjust	Dimensions									Weight
			A	B	C	D	E	G	H	J	K	
PT1	500kg	50-175	14	45	322	171	154	80	25	8	69.5	5.5kg
PT2	1016kg	50-175	21	45	322	171	154	80	25	10	69.5	7.5kg
PT3	1016kg	100-250	21	45	392	171	154	80	28.5	10	69.5	7.5kg
PT4	2032kg	50-175	21	54.5	322	183	180	100	34.6	10	63.5	8.5kg
PT5	2032kg	100-250	21	54.5	392	183	180	100	34	10	63.5	9kg
PT6	3048kg	50-175	33	82	324	222	246	130	41.6	12.5	66	17.5kg
PT7	3048kg	100-250	33	82	459	222	246	130	42	12.5	66	19kg



Universal SUPERCLAMP

For side load applications where conventional SUPERCLAMPS are unsuitable.

The universal SUPERCLAMP has been designed not only for vertical use, but also for side load applications, where conventional clamps are not suitable. This clamp is truly versatile in application and can be used for lifting, pulling or as an anchor point.

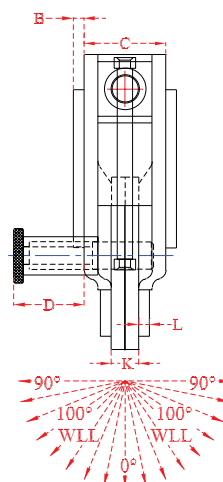
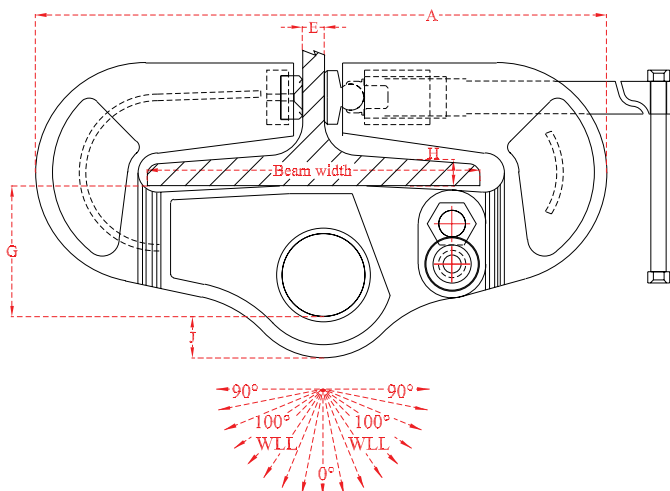
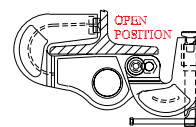
It can be loaded at any angle and eliminates the use of spreader beams in various lifting operations.

With a low headroom anchor point, it can be used as a single or twin point lifting, giving positive grip and quick application combined with lightweight construction.

WARNING: Do Not Exceed Working Load Limits or use this equipment for lifting Flat Plate Sections (not to be used as a plate lifting clamp).



Model	WLL	Beam Width	Dimensions										Weight
			A	B	C	D	E	G	H	J	K	L	
USC3A	3048kg	125-204	387	N/A	70	48	32	100	25.4	28	20	N/A	13.5kg
USC4	4064kg	125-305	518	10	70	48	32	100	25.4	28	10	10	23.5kg
USC5	5080kg	125-305	524	10	75	48	32	120	25.4	38	25	10	28.5kg
USC5D	10160kg	125-305	524	10	75	102	32	120	25.4	38	25	12.5	33.5kg
USCD400	10160kg	225-400	624	10	75	102	32	120	25.4	38	25	12.5	43.1kg



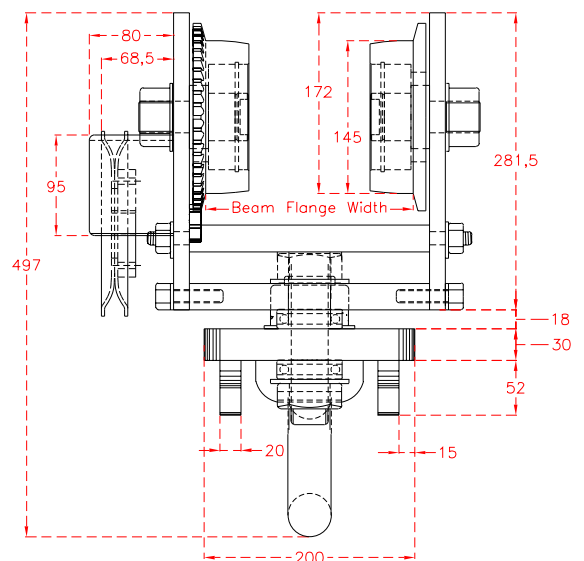
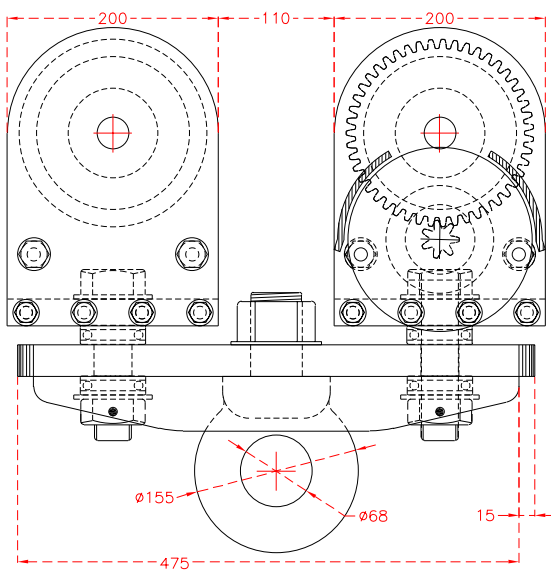


ARTICULATED Geared **SUPERCLAMP** Runway Beam Trolley GBT3 RT

Incorporating Chain Wheel, Chain and Lifting Eye.

Designed and manufactured to negotiate a minimum of 1 metre beam radius. This product assures ease of application in use and low maintenance, incorporating two independent trolleys, a reinforced connecting plate with lifting eye. The unit operates on four thrust bearings to minimize friction for trouble free use. As with all **SUPERCLAMP** products, the quality is of the highest standard to comply with user requirements. Standard 3 metre (10ft) drop of chain. Longer lengths supplied on request.

For use on beam flange with a minimum of one metre inside radius
WLL 10160kg (10 Ton). Weight: 113.5kg



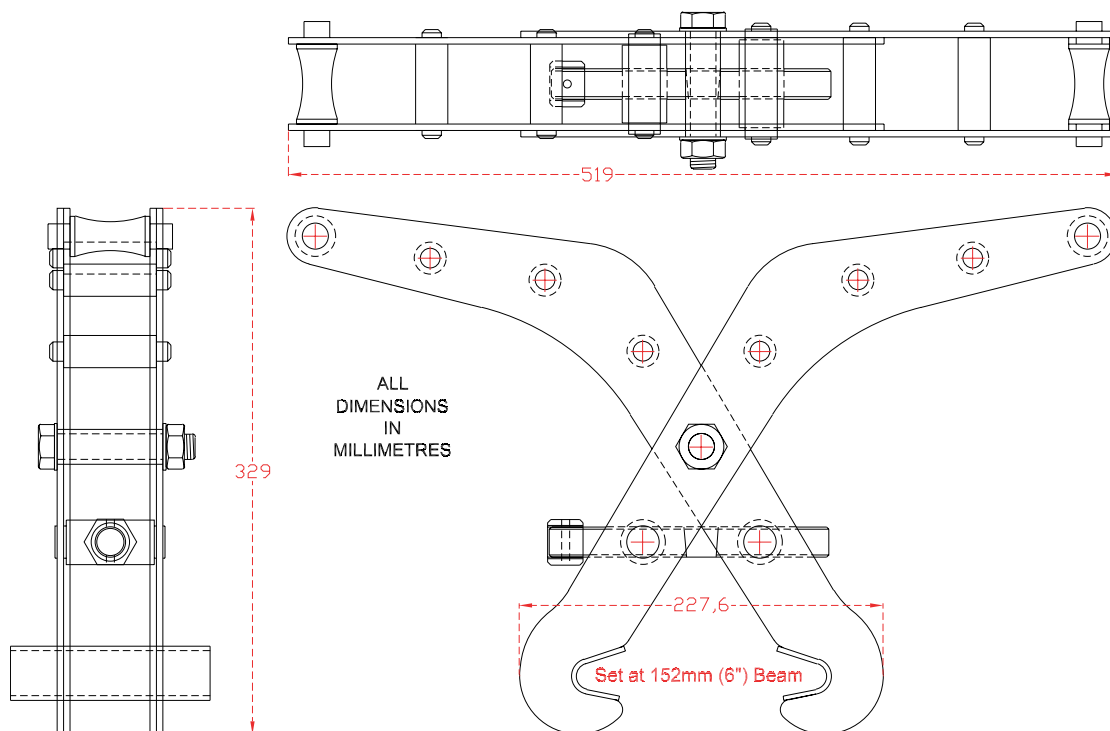
Adjustable Double Sided SUPERCLAMP EL1 (Easy Lift)

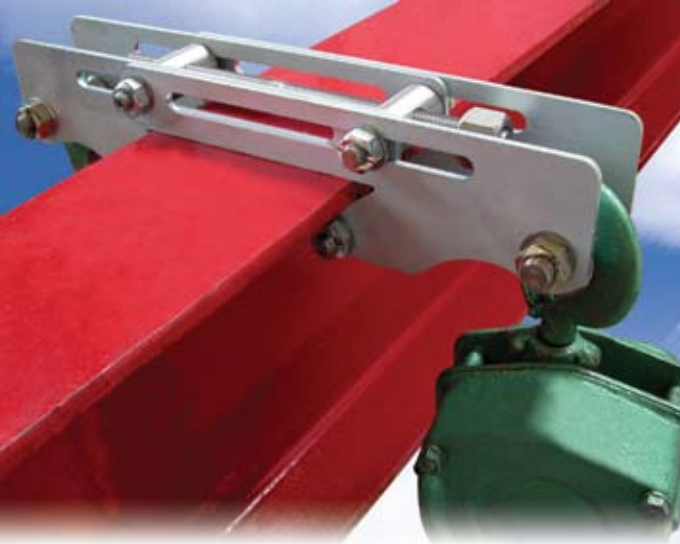
Incorporating Adjustable Mechanism.

EL1 is fitted to the top beam flanges and was designed primarily to help reduce the risk of accidents when positioning heavy load bearing equipment to the lower flange. EL1 has lifting points each side and can be used independently or together for a balanced lift. Being of light weight construction can be fitted quickly.



Model	WLL	Adjust	Weight
EL1	200kg	114-204	5.8kg



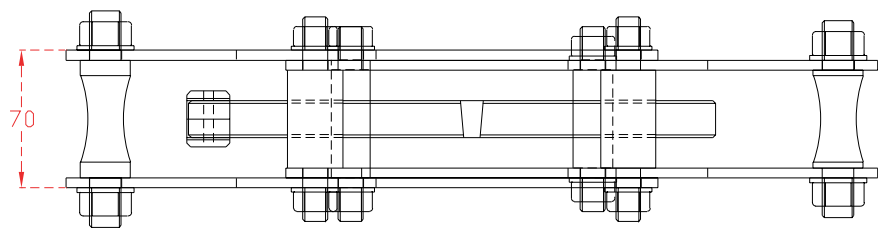


Adjustable Double Sided **SUPERCLAMP** ELL1 (Easy Lift)

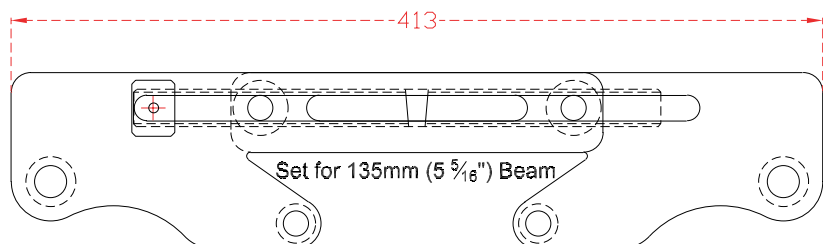
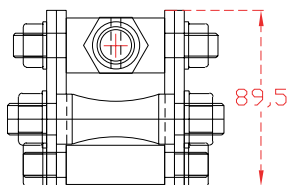
**Incorporating Adjustable Mechanism.
For use in limited space above the beam.**

ELL1 is fitted to the top beam flanges and was designed primarily to help reduce the risk of accidents when positioning heavy load bearing equipment to the lower flange. ELL1 has lifting points each side and can be used independently or together for a balanced lift. Being of light weight construction can be fitted quickly.

Model	WLL	Adjust	Weight
ELL1	200kg	114-204	4.5kg



All Dimensions in millimetres



Procedure for Replacing Worn and Damaged Parts

To Replace Threaded Adjusting Screws for Models: S1 - S20, R1 - R2, P1 - P8, BFC1 - BFC2

Strip Down

- A) Remove handle securing pin using correct diameter punch, wind off handle.
- B) Remove shackle pin, wind off left and right hand side frames, (where adjusting screw is damaged it may be necessary to cut away damaged area to allow screw to be removed).
- C) Check for wear in other parts of clamp.

Re-assemble

- D) Install new adjusting screw winding left and right hand side frames equally on to screw.
- E) Replace shackle and shackle bolt, fit new shackle bolt locking nut.
- F) Wind on handle and secure with new spring pin.
- G) It is advisable that all parts be well lubricated before being put into place.

To Replace Gearing Models GBT1 - GBT5

Strip Down

- A) Remove locking nut on front of chain wheel.
- B) The chain wheel is held in position by a woodruff key. Draw chain wheel and chain wheel centre from drive shaft.
- C) Remove woodruff key from drive shaft.
- D) Remove drive shaft from wheel plate. Ensure drive shaft bush is not damaged.

Re-assemble

- E) Re-assemble gearing as above in reverse order.

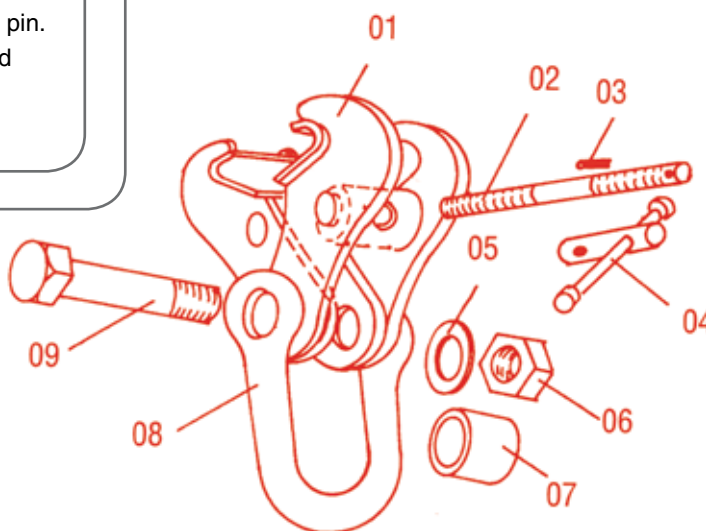
To Replace Threaded Knuckles for Models S11 - S20

Strip Down

- A) Remove handle securing pin using correct diameter punch, wind off handle.
- B) Remove knuckle securing pins.
- C) Remove knuckle and adjusting screw assembly, wind off old knuckles from adjusting screw.

Re-assemble

- D) Wind on new knuckles left and right hand, ensuring both are equally to centre land area of screw.
- E) Re-fit onto clamp side frames using securing pins provided.
- F) Wind on handle and secure with new spring pin, lubricate with grease.



No	Description	Qty
01	Side Frame	2
02	Adjusting Screw	4
03	Securing Pin	1
04	Handle	1
05	Washer	1
06	Nut	1
07	Spacer	4
08	Shackle	1
09	Bolt	4

To Replace Threaded Adjusting Screws For Models BA1 - BA3, B1 - B3, GBT1 - GBT5

Strip Down

- A) Remove handle securing pin using correct diameter punch, wind off handle and locking collar.
- B) Remove shackle pin, wind off left and right hand wheel plates, (it may be necessary to cut away damaged area of adjusting screw to allow screw to be removed).

Re-assemble

- C) Fit new adjusting screw winding left and right hand wheel plates equally to centre land area of screw.
- D) Replace shackle and shackle pin. Renew shackle pin self locking nut.
- E) Wind on locking collar and handle. Secure handle with new spring pin. Lubricate with grease.

No	Description	Qty
01	Side Frame	2
02	Link Arm	4
03	Adjusting Screw	1
04	Locking Collar	1
05	Handle	1
06	Shackle	1
07	Wheel/Spindle/Bearing	4
08	Spacer	1
09	Washer	4
10	Locking Nut	1
11	Plain Nut	4
12	Spring Washer	4
13	Securing Pin	1
14	Bolt	1
15	Split Pin	4
16	Washer	4

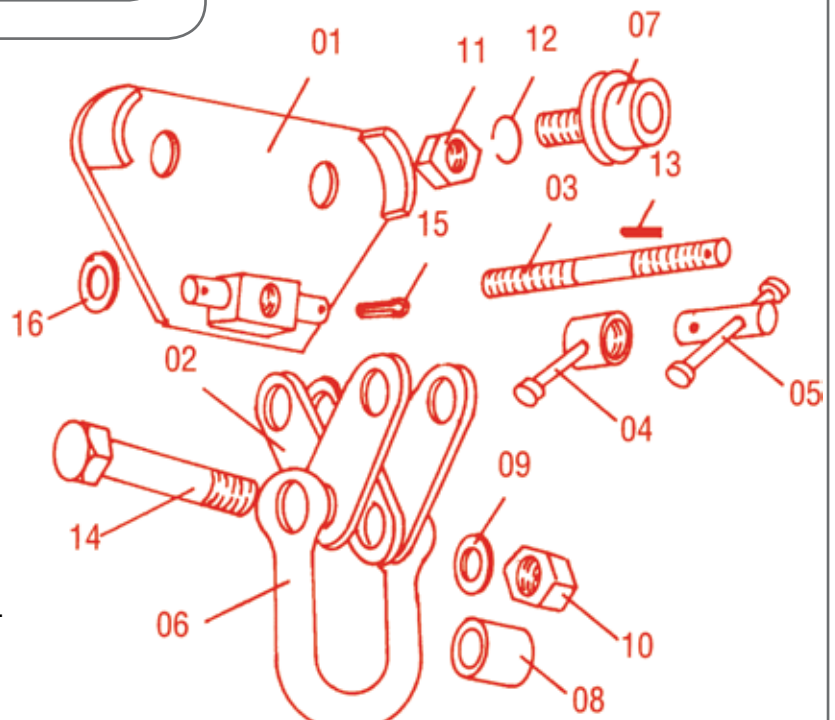
To Replace Bearings on Models BA1 - BA3, B1 - B3, GBT1 - GBT5, A1 - A3

Strip Down

- A) Remove wheel and wheel axle from wheel plates.
- B) Press out axle from bearing.
- C) Remove internal circlip from back of wheel and press out old bearing.

Re-assemble

- D) Ensure all components are cleaned thoroughly and press in new bearing.
- E) Replace internal circlip.
- F) Press wheel axle into bearing (ensuring wheel pins freely on axle).
- G) Fit completed assembly back onto wheel plate.



Guidelines for the Inspection and Safe Use of SUPERCLAMP Equipment

Inspection of SUPERCLAMP Equipment

1) General:

Follow all requirements of laws, rules and regulations applicable in your country pertaining to lifting operations, ensuring all maintenance testing, inspection and operator requirements are strictly adhered to. This is in your interest, and can prevent fatal accidents and industrial disaster.

2) Checklist:

- Is any part of the equipment distorted?
- Are any cracks visible, or is extensive corrosion evident?
- Is any wear evident at suspension points, wheels, shackles, gears, pivots, pins, bolts, threads, springs, or other moving part?
- Are locking arrangements functional and safe?
- Are the safe working load, the serial number and other markings legible?
- Have all inspections or tests been regularly recorded? If not, re-certification should be carried out before use.
- Does the SUPERCLAMP equipment carry its original identification marking?

Safe Use of SUPERCLAMP Equipment

1) Ensure that the selected SUPERCLAMP equipment is of a suitable type for the lifting or suspension operation you intend to undertake.

2) Ensure that structures to which SUPERCLAMP equipment may be fitted are of adequate design and comply with all legal requirements. Structures designed for lifting operation purposes are usually marked with the maximum Safe Working Load which may be applied. Ensure that structures are test certified to such use and that the appropriate certificate is up to date.

3) Never stand beneath a suspended load.

4) SUPERCLAMP products are primarily designed for in-line use only and the equipment is thus marked. Never use SUPERCLAMP products for sideloading applications unless this is specifically recommended on the original SUPERCLAMP identification marking affixed to the unit. If the identification marking states that the unit must be used at 0° (zero degrees) only, then no side loading/angle loading is permitted. E.g. no single point lifting of beams.

5) SUPERCLAMP products must not be attached to defective structures or materials. Ensure that runway beams are fitted with end stops and are free from any defects. Should a defect on a runway beam or structural member be observed, remove the SUPERCLAMP unit immediately and report your observations to the person in charge.

6) When selecting SUPERCLAMP products, ensure that the calculated Safe Working Load requirement allows for any additional weight of equipment which may be suspended together with the original load to enable the lifting operation to take place.

7) Ensure that all mechanisms on SUPERCLAMP products are working freely before being used for the application intended.

8) Never replace worn components unless these are original SUPERCLAMP parts. Where products are fitted with replaceable jaws, incorporating teeth showing wear, it is strictly prohibited to recut or resharpen these. Cams or jaws incorporating teeth can be easily replaced with original SUPERCLAMP components available from your approved SUPERCLAMP distributor.

9) Always ensure that repaired products are inspected and re-tested in accordance with the laws of your country prior to being released for operation.

10) Ensure that all persons using SUPERCLAMP equipment are properly trained in performing lifting operations and competently using this type of equipment.

11) If multipoint lifting operations are undertaken, always ensure that no single point of lift is at any time required to exceed its maximum Safe Working Load.

12) Never throw or drop SUPERCLAMP equipment, as this may well be hazardous or injure people or plant.

13) If in doubt about the suitability of SUPERCLAMP products for your application, then contact your nearest supervisor.

14) Your nearest SUPERCLAMP distributor will advise you on applications if required.

Special Products

Our drawing office is staffed by experienced Design Engineers who can solve your most difficult problems.

Specials

- 1) Spark Proof Girder Clamps and Trolleys.
- 2) Anti-Corrosive Girder Clamps and Trolleys.
- 3) Man Carrying Girder Clamps and Trolleys.
- 4) ForkLift Attachments
- 5) Gantries.
- 6) Non-Marking Clamps.
- 7) Low Headroom Clamps.
- 8) Clamps and Trolleys with Non-Standard Working Load Limits.
- 9) Clamps and Trolleys to suit Customer Requirements.

Important Information

Health & Safety

Suppliers are generally required to make available information relating to articles supplied to ensure that when put to proper use they are safe and without risk to health.

Experience over many years has not shown up any particular problems with regard to Health and Safety in connection with the products we manufacture and supply providing:

- 1) They are used for the purpose for which they were designed.
- 2) They are not loaded beyond their related safe working load.
- 3) They are properly maintained.
- 4) They are regularly inspected and tested in accordance with the relevant statutory regulations.
- 5) They are used by competent persons trained in their applications.

Warning

Our products are marked with a Maximum Safe Working Load which must not be exceeded. The manufacturers do not accept any liability for damages which may result from the product being used in excess of the Safe Working Load.

Ensure that existing end stops on runway beams will accommodate **SUPERCLAMP** Trolleys.

On occasions we supply replacement component parts for articles of Lifting Equipment but we do not accept any responsibility for these unless they are installed by a person with appropriate knowledge and ability and the Statutory tests and inspections are carried out on completion of repair.

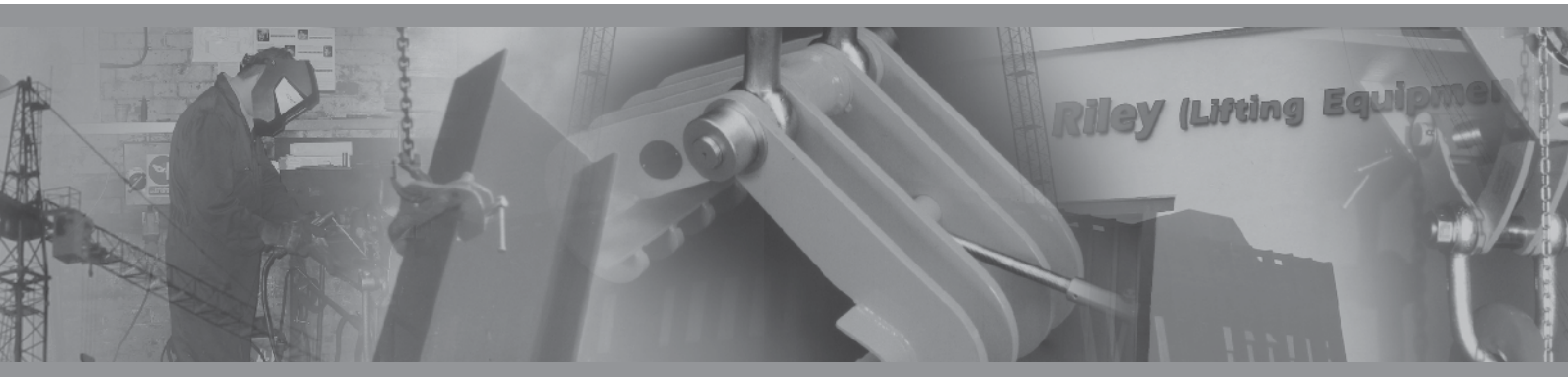
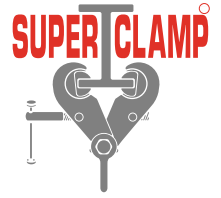
Unless we are informed at the time of enquiry and order regarding particular hazardous environmental conditions all equipment is supplied on the assumption that it will be used in normal atmospheric and temperature conditions as applicable within the United Kingdom.

Safe Working Load

This is the maximum load which can be applied to the product in service. It is of the utmost importance to Health and Safety to ensure that **SUPERCLAMP** products are only attached to structures, materials or other lifting components which are authentically and authoritatively approved and recommended to carry or sustain the maximum safe working loads to be applied.

All of our devices exceed the Title 29CFR Part 1910, 1918 and 1926 of the Federal and O.S.H.A. Codes and Regulations as applicable.

Worldwide Suppliers
of **Super Clamp**



Riley (Lifting Equipment) Ltd

Hope Building, Dockray Street
Colne, Lancashire BB8 9HT

Tel: +44 (0) 1282 867 177

Fax: +44 (0) 1282 863 698

Email: info@superclamp.co.uk

Web: www.superclamp.co.uk