

HV7-900-1

TEKNISK BROSJYRE

Innholdsfortegnelse:

Introduksjon	2
GA Tegning	3
Mekanisk datablad.....	4

HV7-900-1

INTRODUKSJON

Dette er en SWL 7tonns vinsj på midtre laget. Modell nr 900-1 er vinsj med hagglund motor som egner seg for hurtigere operasjoner en modell 900-63.

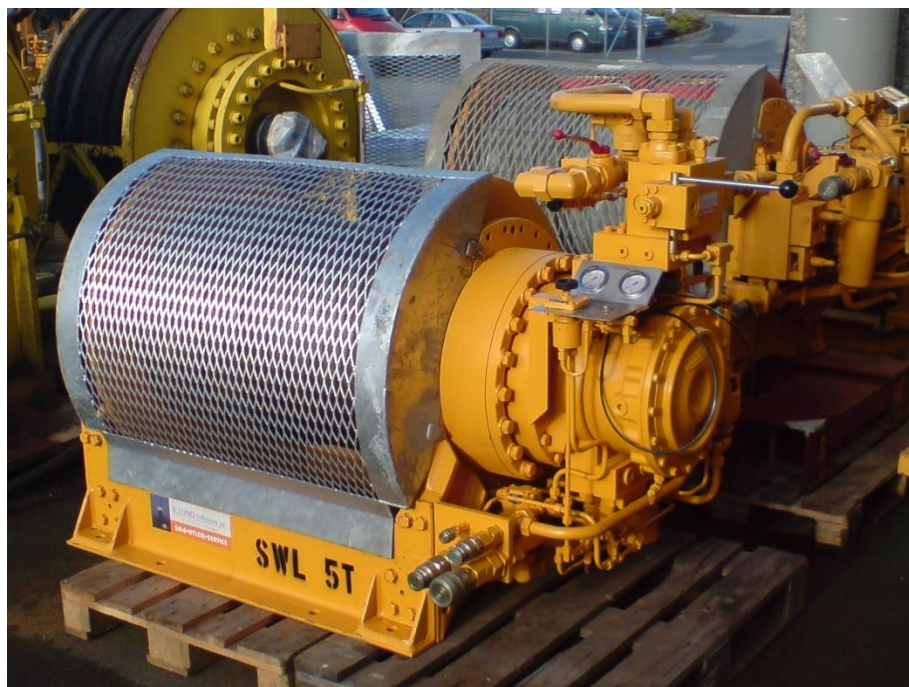
Dette er en «constant tension» vinsj; constant tension er et last system som brukes når vinsj skal løfte/trekke en konstant vekt. Ofte brukes det i marine operasjoner hvor vinsjen festes i havbunn i en forankring og noe guides ned, eller når vinsjen skal løfte/dra en vekt som er variabel fra et annet punkt.

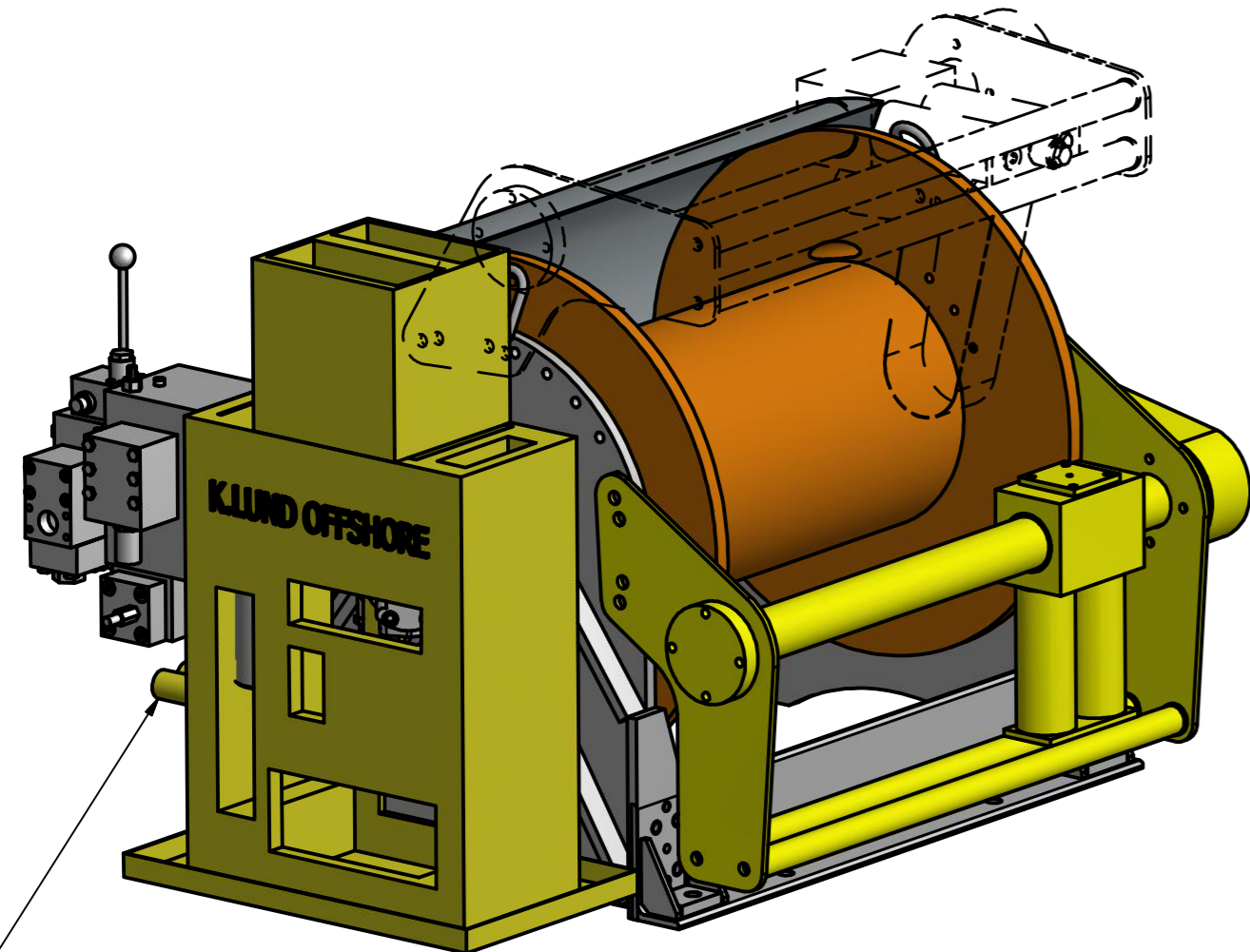
Dette er typisk en maritim vinsj om brukes på båt hvor det er mindre dekkplass, og hvor de trenger hurtige vinsjer.

Vinsjen kan også komme med sveiseramme som kan sveises direkte til dekk.

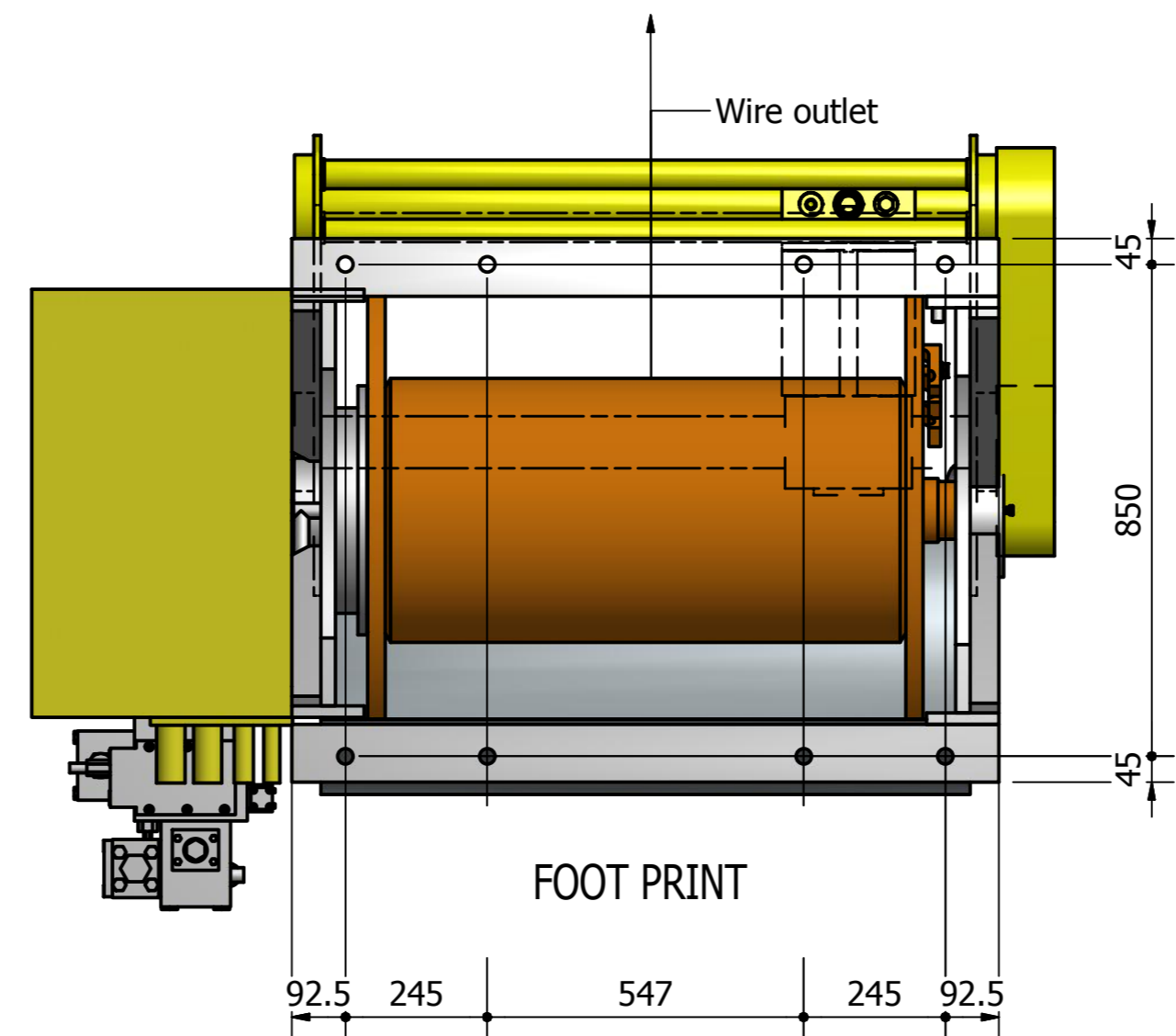
Vinsjen kan leveres med:

- CE Market iht maskindirektivet
- Produsert iht DNV for Lifting and offshore operations
- Kan leveres med automatisk spoole apparat.
- Leveres med godkjent løfteskrev.

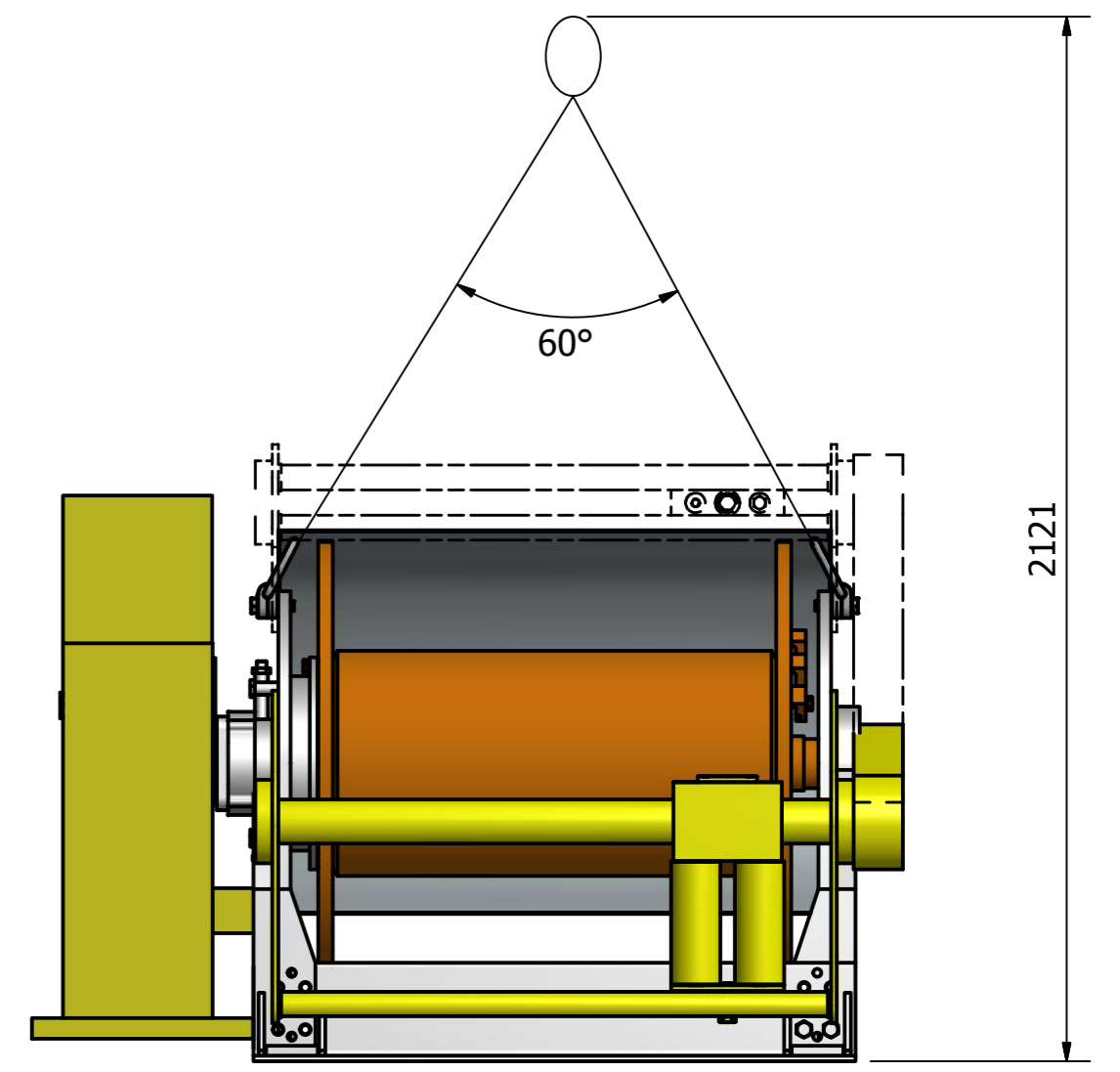




Hydraulic connections



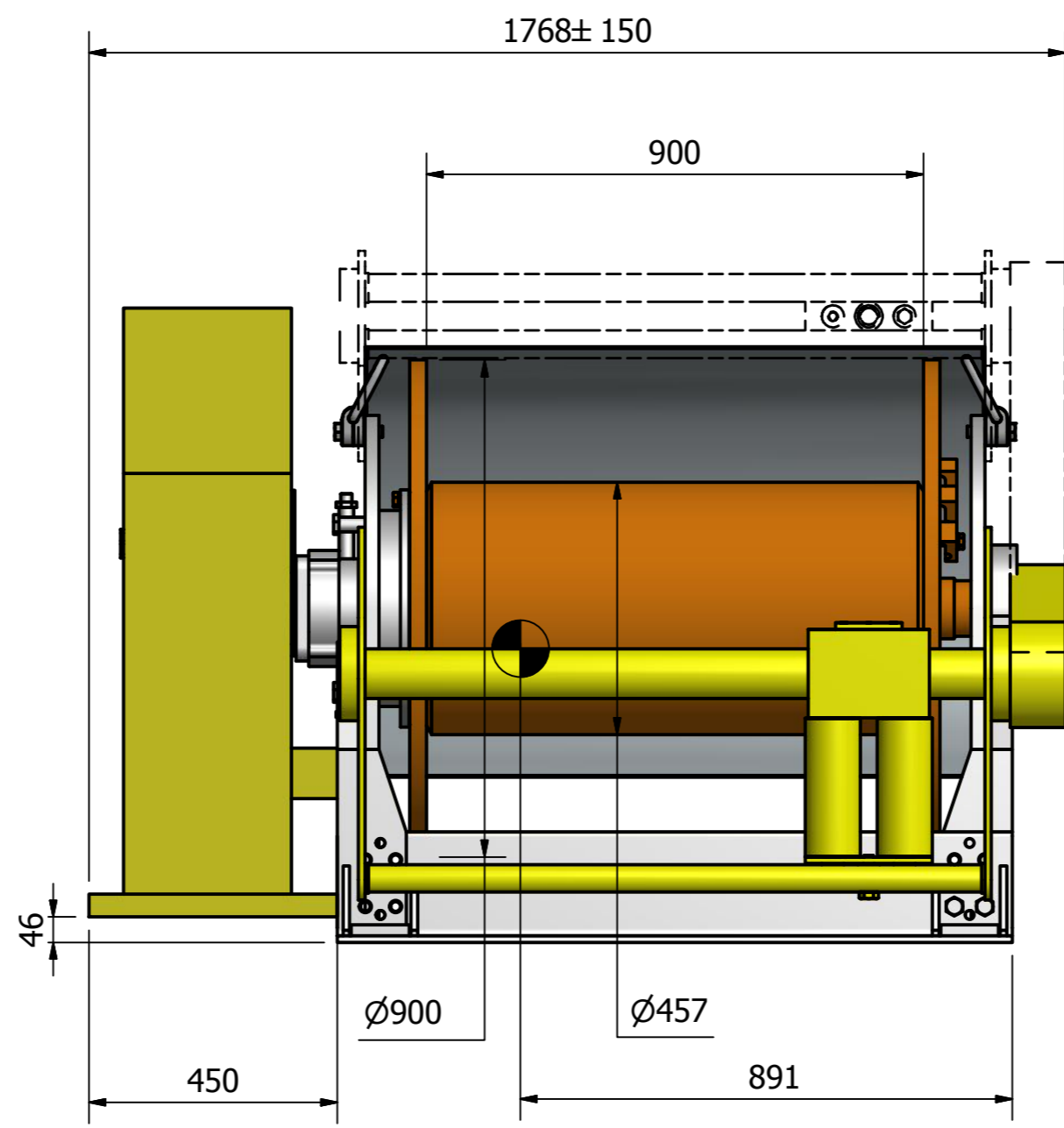
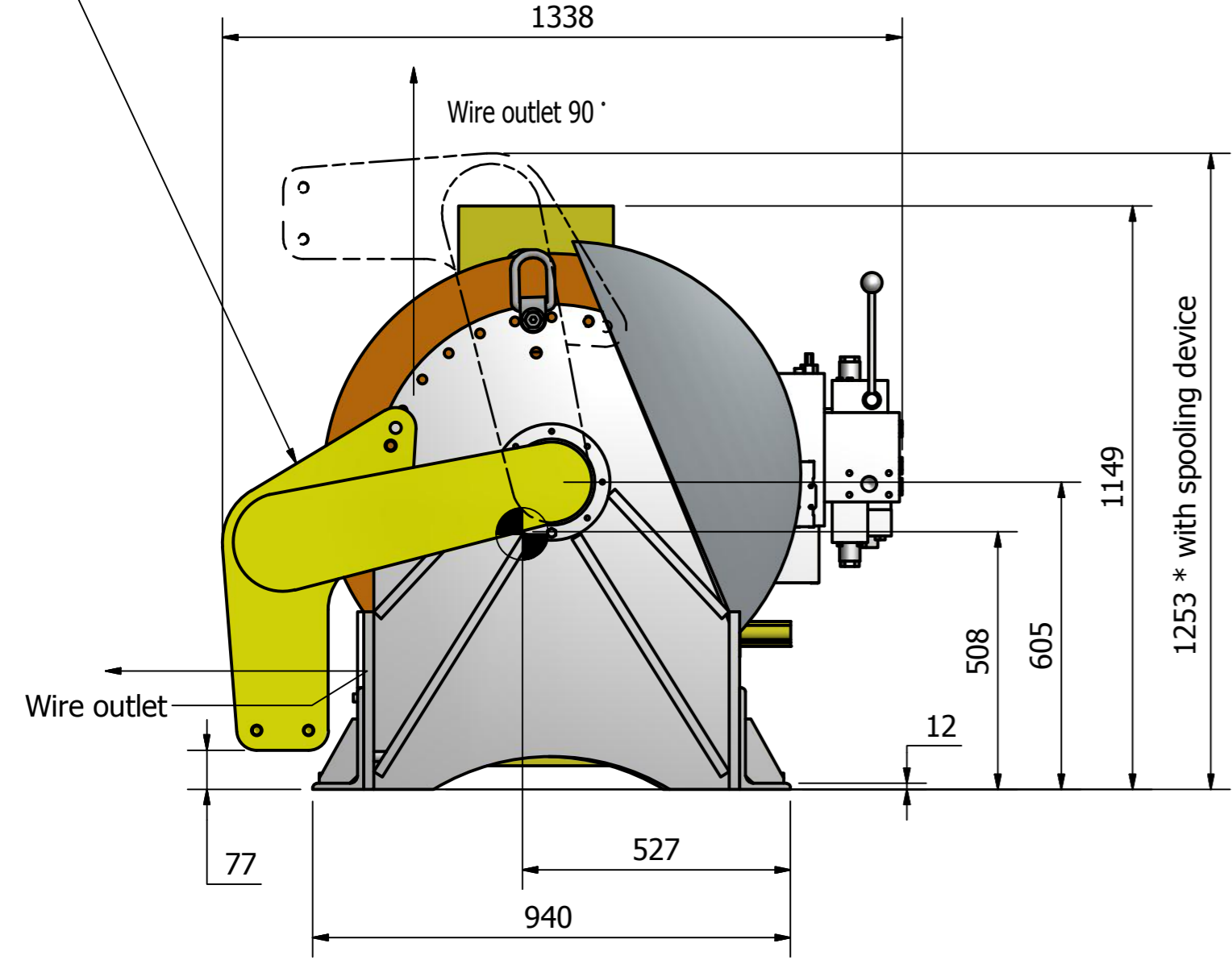
FOOT PRINT



1. Weight of the winch with spooling device (kg) - 1650
Weight of the winch without spooling device (kg) - 1550
Weight of spooling device (kg) - 100
2. The winch is to be fixed to the foundation with bolts M24 of class 8.8 with the torque equal to 665 Nm.
3. Fleet angle for spooling device max ± 6°.
4. Thickness of base is 12 mm.
5. ● - COG for winch without wire.

*** - Rental number: 3836/3837/4350/4351/4436/4437/4438/4439

Spooling device can be adjusted from 0-90 degrees



01	27.04.2015		oro		
REV	DATE	REASON FOR ISSUE	DESIGN	CHECKE	APPROV
P.O. NUMBER			PACKAGE TITLE		
TAG No.					
SUPPLIER DOC. NUMBER			HV7-900GA		
DRAWING TITLE: Hydraulic winch HV-7 GA drawing					
PROJECT NAME:					
RENTAL NR: ***			ITEM NR: 10220070		
DRAWING No.			A2	1 OF 1	01
			Scale	Size	Sheet No. Rev



02	08.02.2016	UPDATED HEADER	OAN	BSTO	TNU
01	01.02.2013	ISSUED AS BUILT	KGJ		
Rev	Date	Reason for issue	Made by	Chk by	Appr. by

P.O. Number	Package title
NA	WINCH, HYDRAULIC 7,0T

Customer	Date/Sign					
	(For project use only)					
	<table border="1"> <tr> <td>1</td> <td>2A</td> <td>2</td> <td>3</td> <td>4</td> </tr> </table>	1	2A	2	3	4
1	2A	2	3	4		

Project code	Area/Location	Article group
NA	NA	1006

Rental number	Item number	Alias number
4436, 4437, 4438, 4439	10220070	NA

Document title
MECHANICAL DATA SHEET FOR HV7-900-1

SDRL Code(s)	NA	Page 1 of 3
Document No.	1006-10220070-DS-002	

MECHANICAL DATA SHEET FOR HV7-900-1

1 General

1.1	Type of equipment	Hydraulic Driven Winch SWL 7T
1.2	Owner	Kolos Lifting AS, Skvadronveien 29, 4050 SOLA
1.3	Supplier	Kolos Lifting AS, Skvadronveien 29, 4050 SOLA
1.4	Manufacturer	K. LUND Offshore AS, Skvadronvegen 24, 4050 SOLA
1.5	Model number	HV7-900-63
1.6	Number ea.	4
1.7	Year of manufacture	2007
1.8	Codes	Maskinforskriften FOR-1994-08-19-820 Machinery Directive 98/37/EC EN 13001 DNV 2.22 Lifting Appliances
1.9	NORSOK type	U99
1.10	Manning	Normally unmanned
1.11	Certificates	ILO Form 2
1.12	Ambient conditions Temperature Atmosphere Inertia Hazardous area	-20 to + 30 °C Offshore, saliferous, 100% humidity +/- 0.1 g horizontal, any direction, +/- 0.2 g vertical Zone 1
1.13	Design capacity	7T mid drum
1.14	Lifting speed	110m/min on 1 st layer, 170m/min on 7 th layer
1.15	Classification of machinery	M5

2 Hydraulic

2.1	Drive system Motor Brake Gear	Radial piston motor 5024 cm ³ /rev Hägglunds CA100-80 Hydraulic integrated, failsafe, spring applied. NA – Direct
2.2	Oil supply Pressure bar Flow l/min	Max 350 Max 450
2.3	Power demand kW	Max 310
2.4	Oil type	Mineral oil with high viscosity index and with high pressure- and anti fouling –additives. VG 32 (32 cSt @42 °C)

3 Mechanical

3.1	Wire rope Ø mm	20
3.2	Drum Barrel Ø mm Length mm Flange Ø mm Storage capacity m Number of layers	457 900 900 600 7
3.3	Connections Main P Tank T Casing Drain D LS LS	Quick Connects 1 1/4" FM Snap-tite 71 1 1/2" M Snap-tite 71 3/4" M Snap-tite 71 1/4" FM Snap-tite 71
3.4	Size LxWxH mm	1920x1340x1250

MECHANICAL DATA SHEET FOR HV7-900-1

3.5	Weight Net kg Tara kg Max Gross kg	1650 kg (incl. spooling device)
3.6	Fasteners	8x M24 8.8
3.7	Fastener torque Nm	665
3.8	Lifting arrangement	Lifting lugs
3.9	Misc. equipment Wire guiding Service	Automatic geared, adjustable for 0-90° wire-out direction with the horizontal plane, max allowable fleet angle is 5° Constant Tension Active Heave Compensation