



Kolos Lifting & Inspection AS offers a large selection of goods for sale and hire.

By end of projects or upgrading the rental fleet, we sell new and used winches, HPUs & lifting equipment at **VERY** advantageous prices, ready for delivery.

Hydraulic Manrider Winch



Description:

IngersollRand Hydraulic Manrider winch LS2-150HLP-L-QZ-E with remote control.

Specially designed for safe and reliable personnel lifting by means of safety harness on offshore rigs and platforms in heavy duty and critical offshore working environment.

Technical Information:

L x W x H (mm): 866x673x780

Weight: (Tara): 380kg

Year of manufacture: 2019

Standards: DNV type approved
Machinery Directive
Norsok R002

For more technical information, mechanical data sheet & price, contact:

sales@kolos.no



275KW Cummins Diesel HPU



Description:

275KW Cummins Diesel HPU buildt-in 16ft container, acc. to DNV 2.7-1.

For on-shore & offshore use. Full maintenance history by request.

Technical Information:

L x W x H (mm): 4874x2436x2740
Weight: (Tara / MGW): 7 500kg / 11 000kg
Year of manufacture: 2008
Pump: Parker 2 x 270ccm
Supply Capacity: 950 L/min @ 1800rpm

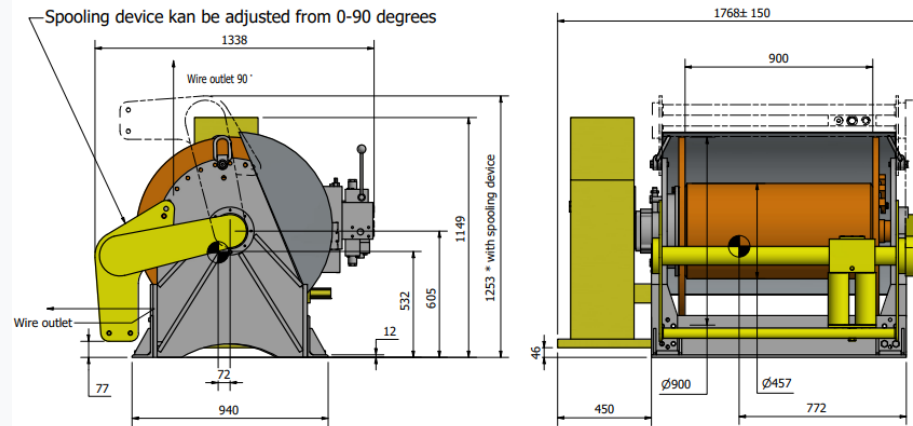
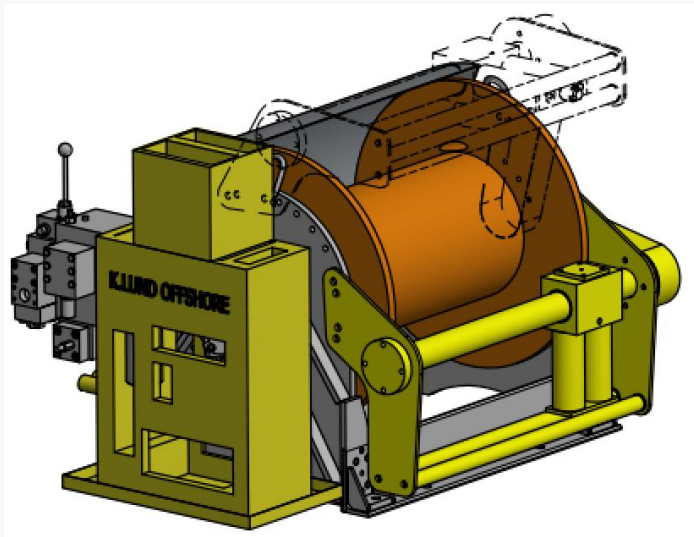
For more technical information, mechanical data sheet & price, contact:

sales@kolos.no

7T
Hydraulic
Winch
w/ wire
guide



Picture from production year



Description:

IngersollRand Hydraulic Manrider winch HV7-900-63 with wire guiding.

Hydraulic driven winch with wire guiding. Automatic geared, adjustable for 0-90° wire-out direction with the horizontal plane, max allowable fleet angle is 5°.

- Constant Tension
- Potential Active Heave Compensation

Technical Information:

L x W x H (mm):	1920x1138x1250
Design capacity:	7 000kg mid drum
Year of manufacture:	2001 / 2005
Standards:	DNV 2.22 Machinery Directive

For more technical information, mechanical data sheet & price, contact:

sales@kolos.no

Wire blocks 1,5T – 10T



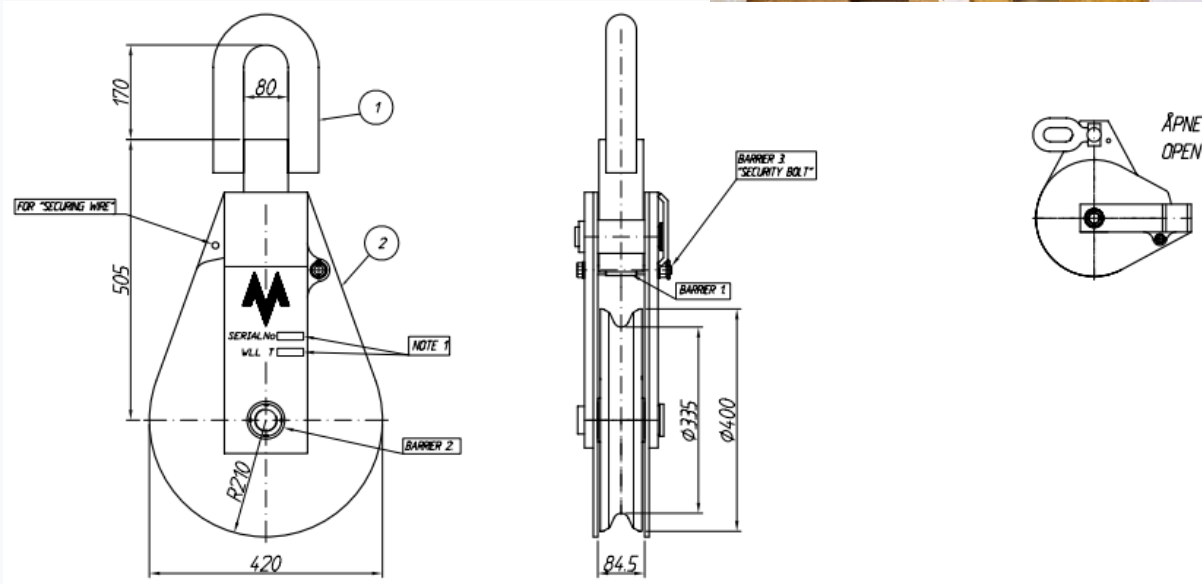
Description:

Wireblocks from 1,5T – 32T

10 – 15ea new and used wireblocks for sale in different sizes & WLL.

Technical Information:

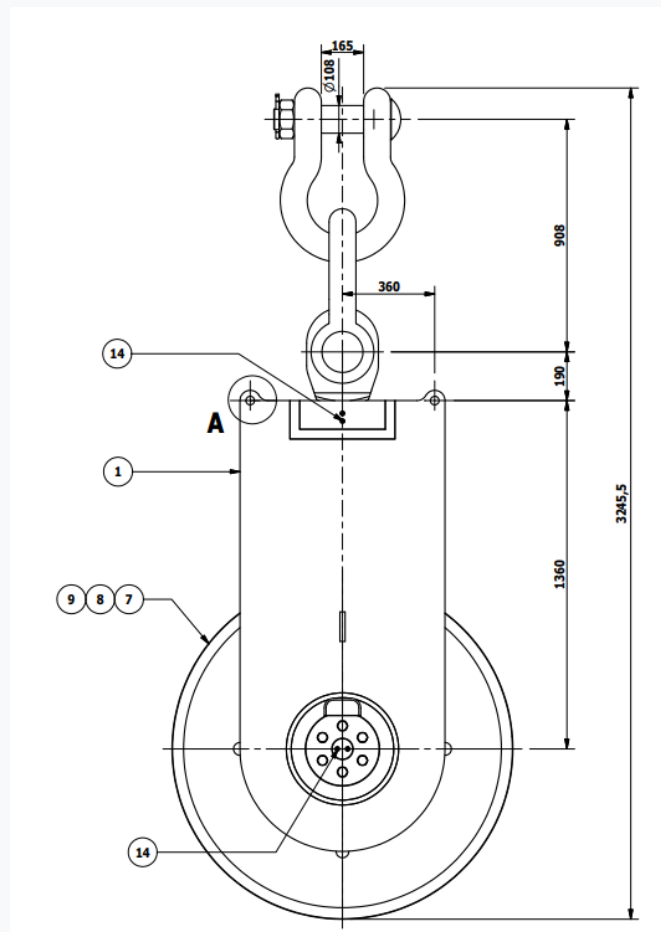
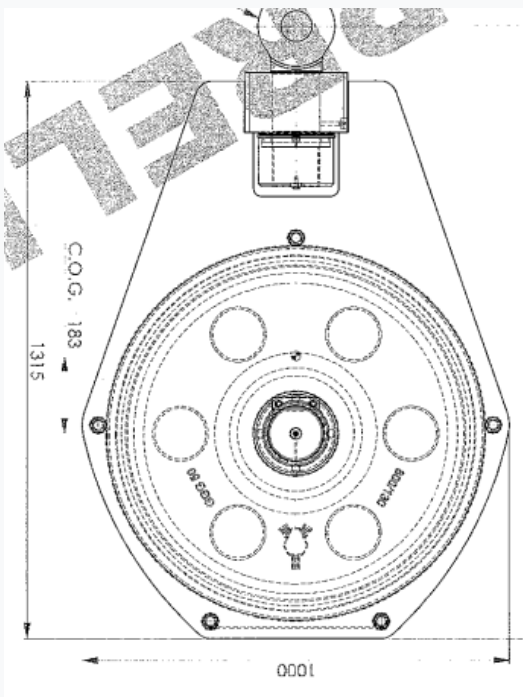
L x W x H (mm): Different
Design capacity: 1,5T – 10T
Year of manufacture: Different
Standards: Different



For more technical information, mechanical data sheet & price, contact:

sales@kolos.no

Wire blocks XL



Notes:

Standards applied:

DNV "standard for certification No. 2.22"
 NS 3472
 EN 1993-1-8
 Machine directive
 NORSOK R-CR-002

Surface conservation:
 NORSOK M501 system 1

Design factors:
 DAF: 1,3
 Load factor: 1,3

Description:

3 ea Wireblocks 32T + 55T + 178T

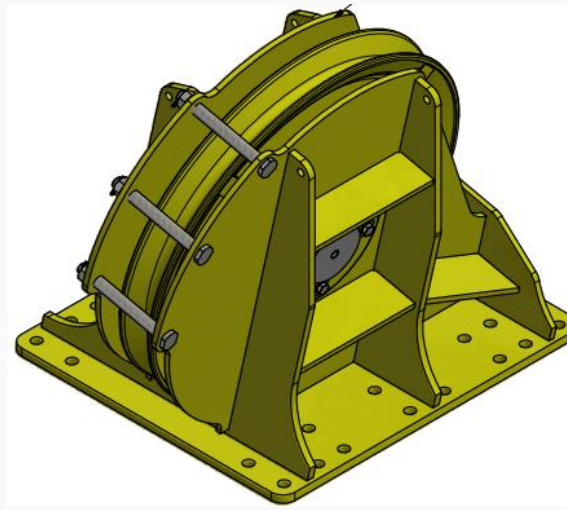
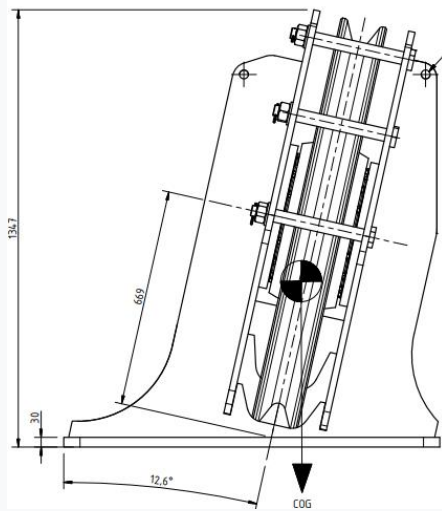
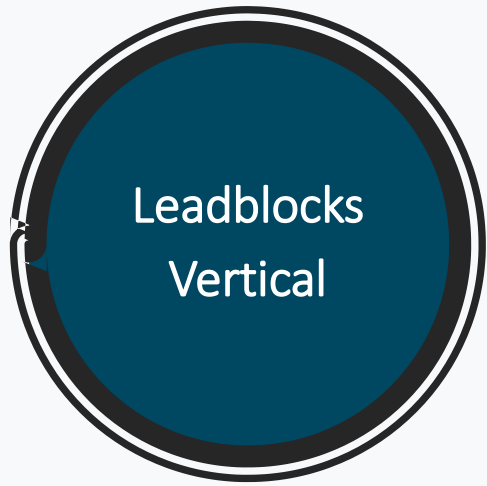
Used wireblocks for sale in different sizes & WLL.

Technical Information:

L x W x H (mm): Different
Design capacity: 32T, 55T, 178T
Year of manufacture: Different
Standards: Different

For more technical information, mechanical data sheet & price, contact:

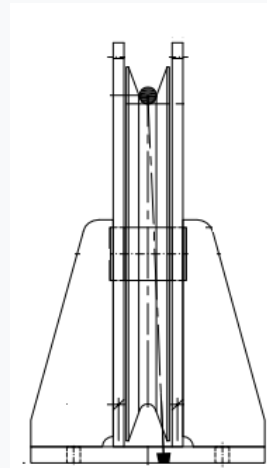
sales@kolos.no



Description:
Lead block Vertical
Max wire pull 86T
Wrapped angle 90DGR /
Angle 12.6°

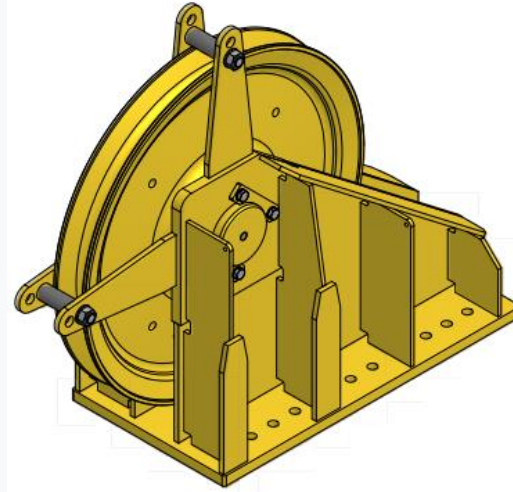
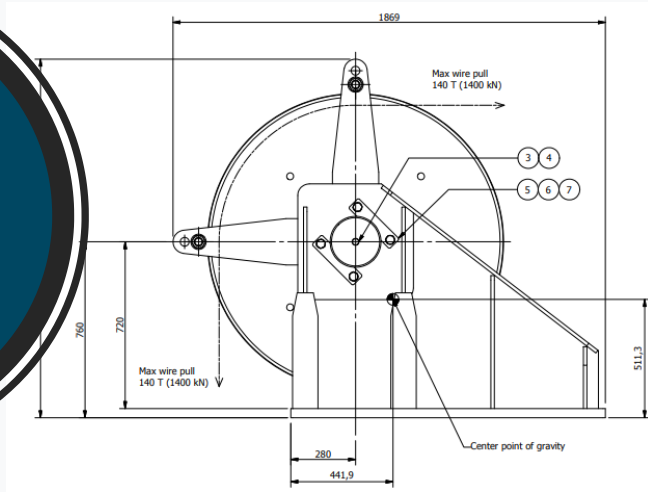
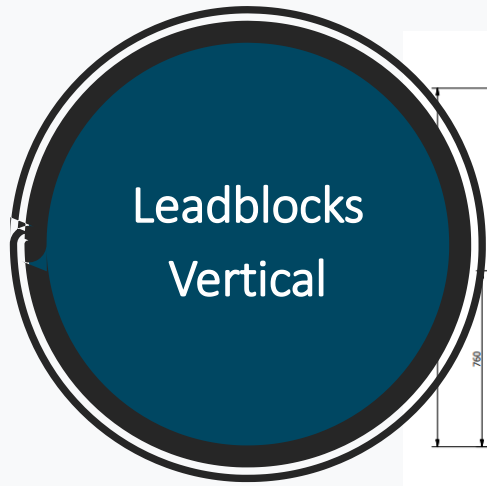
Technical Information:
L x W x H (mm): 1606x1160x1347
Design capacity: 86T
Year of manufacture: 2015
Standards: DNV 2.22

For more technical information, mechanical data sheet & price, contact:
sales@kolos.no



Description:
Lead block Vertical
Max wire pull 20T

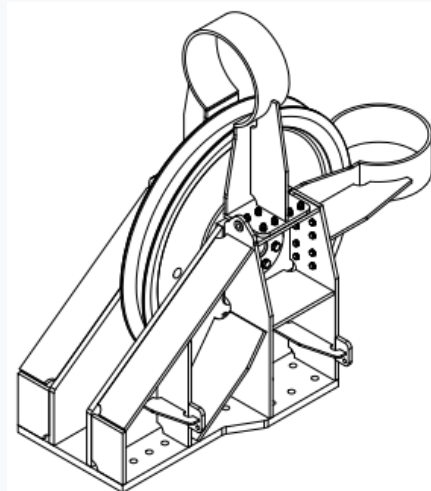
Technical Information:
L x W x H (mm): 680x440x662
Design capacity: 20T
Year of manufacture: 2009
Standards: DNV 2.22



Description:
 Lead block Vertical
 Max wire pull 140T
 Wrapped angle 99DGR

Technical Information:
L x W x H (mm): 1869x700x1549
Design capacity: 140T
Year of manufacture: 2009
Standards: DNV 2.22

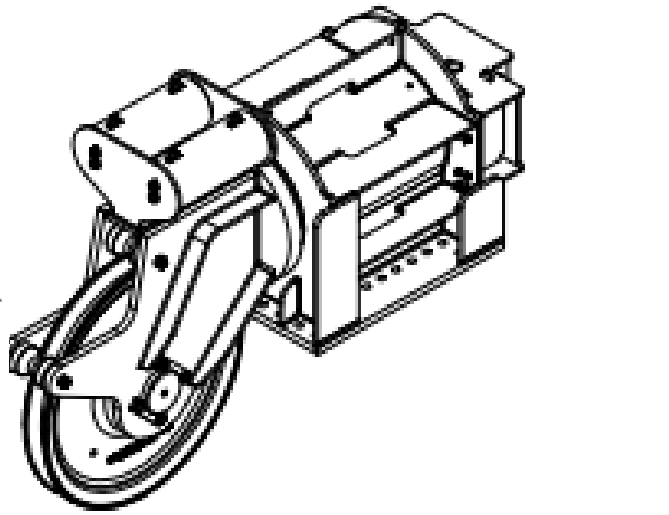
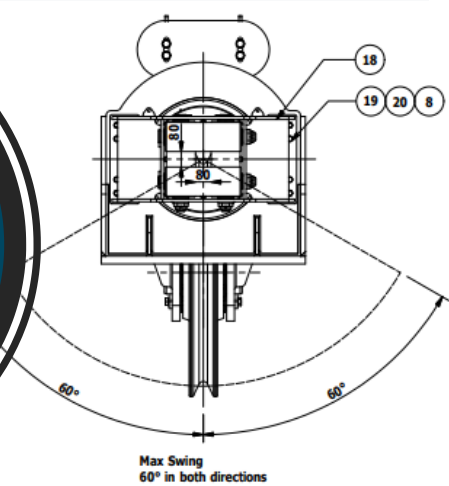
For more technical information, mechanical data sheet & price, contact:
sales@kolos.no



Description:
 Lead block Vertical
 Max wire pull 1200kN / 122T
 Wrapped angle 99DGR +/- 5°

Technical Information:
L x W x H (mm): 2214x870x1884
Design capacity: 122T
Year of manufacture: 2009
Standards: DNV 2.22

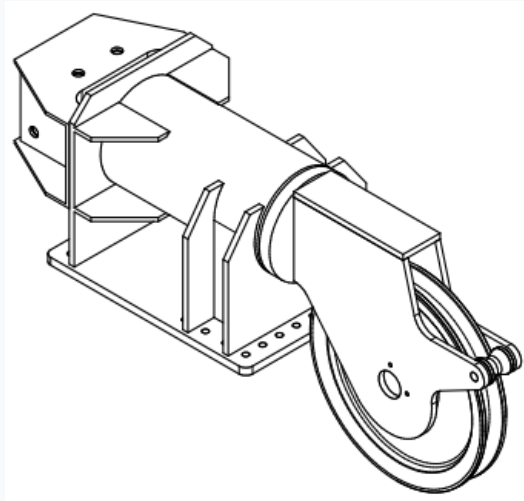
Leadblocks Rotation



Description:
Lead block Rotation with roller fairled
Max wire pull 60T
Wrapped angle 90DGR

Technical Information:
L x W x H (mm):
Design capacity: 60T
Year of manufacture: 2009
Standards: DNV 2.22

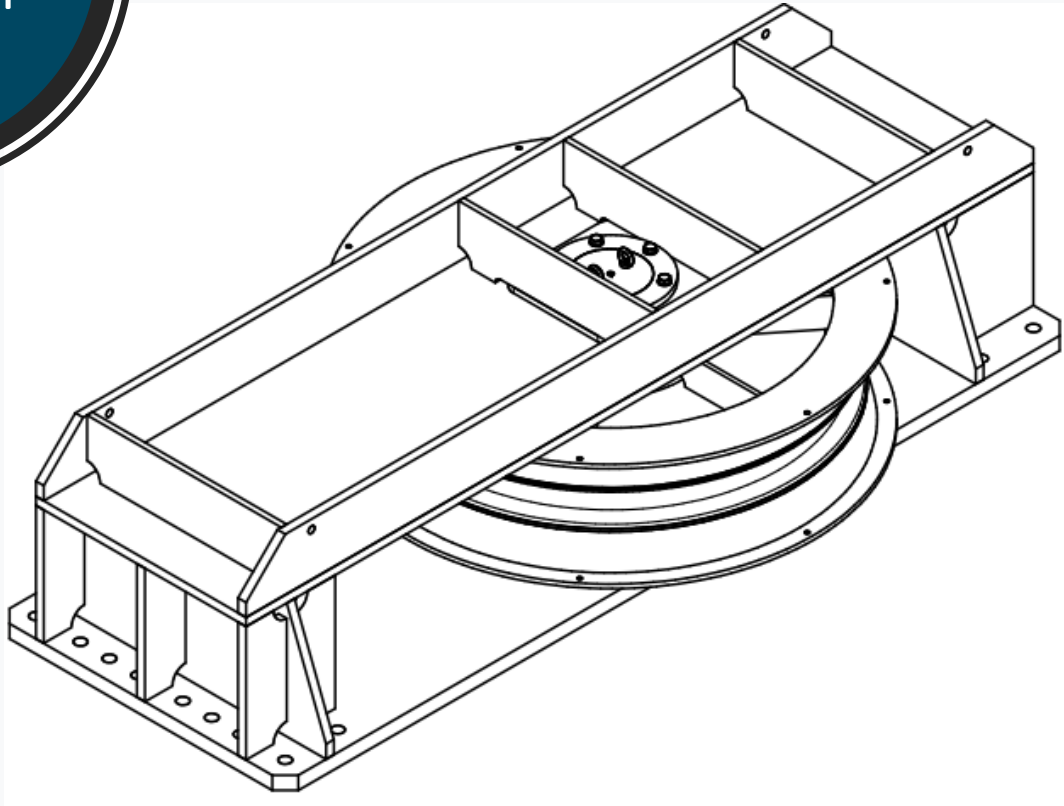
For more technical information, mechanical data sheet & price, contact:
sales@kolos.no



Description:
Lead block Rotation
Max wire pull 30T
Wrapped angle 90DGR

Technical Information:
L x W x H (mm):
Design capacity: 30T
Year of manufacture: 2009
Standards: DNV 2.22

Leadblocks Horizontal

**Description:**

Lead block Horizontal
Max wire pull 160T
Wrapped angle 99DGR

Technical Information:

L x W x H (mm): 3000x xx x720
Design capacity: 160T
Year of manufacture: 2011
Standards: DNV 2.22

For more technical information, mechanical data sheet & price, contact:

sales@kolos.no

Fairlead Vertical



Description:

Fairlead Vertical

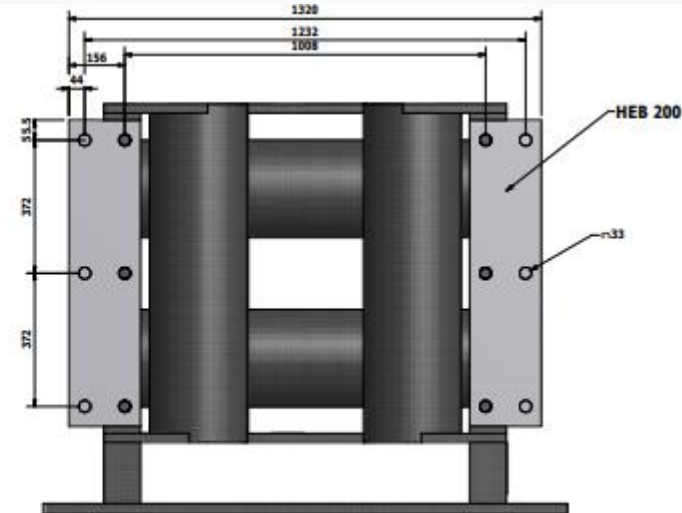
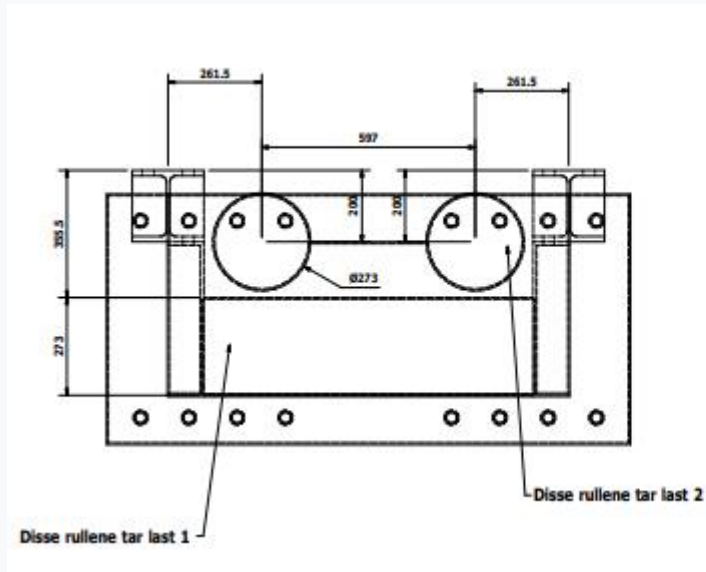
Technical Information:

L x W x H (mm):

Design capacity: 24T

Year of manufacture: 2009

Standards:



For more technical information, mechanical data sheet & price, contact:

sales@kolos.no

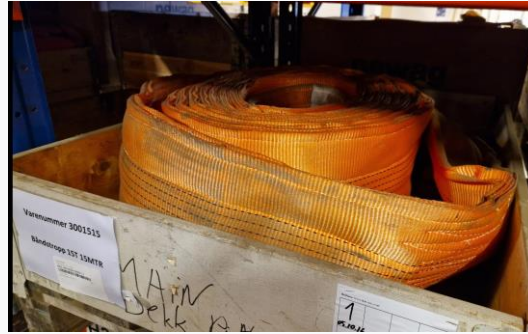
Hydraulic Cylinders



For more technical information, mechanical data sheet & price, contact:
sales@kolos.no

Model nr	Tonnage	Stroke	Function	Other
SM03015	30 ton	150 mm	Single-Action	
SMP03005	30 ton	60 mm	Single-Acting	Low height
SM05016	50 ton	160 mm	Single-Acting	
SM05034	50 ton	339 mm	Single-Acting	
SM07533	75 ton	330 mm	Single-Acting	
SM10006	100 ton	60 mm	Single-Acting	
SSR14015	140 ton	00 mm	Single-Acting	
STX22004	220 ton	45 mm	Single-Acting	Low height
D35015	350 ton	150 mm	Double-Acting	
SM1405	350 ton	150 mm	Double-Acting	
SL03030	00 ton	00 mm	Single-Acting	Telescope

Fiber sling XL



Example of sizes, other by request:

Type	Tonnage	Length
Roundslings	25 ton	5 / 10 mtr
Roundslings	40 ton	3,5 / 7 mtr
Roundslings		
Roundslings		
Web sling	8 ton	3 mtr
Web sling	15 ton	15 mtr
Web sling		
Web sling		



Description:

New & used large fibreslings for sale, both roundslings and webbing slings.

Sometimes the lifting operation can be adjusted according to the lifting equipment, ask us before planning the operation for big savings!

(Pictures for illustration only)

Technical Information:

Different length and tonnages, contact us for a really good quotation!

For more technical information, mechanical data sheet & price, contact:

sales@kolos.no



Description:

New lifting beam for big-bags, TTB.

Returned from customer.

Technical Information:

L x W x H (mm): 970x970x300mm

Design capacity: 1T

Year of manufacture: 2021

Standards: Machine Directory

For more technical information, mechanical data sheet & price, contact:

sales@kolos.no

Fall arrest
Body
harness



Description:

2 pallets with new & used fall arrest equipment.

From rental department, very good condition,
High quality

Note: Rest-life according to producer 2-4 year!

Technical Information:

Producer:	Sala Ecofit Nex
Size:	M, L, XL, XXL
Year of manufacture:	2018, 2019, 2020
Standards:	EN standard

For more technical information, mechanical data sheet & price, contact:

sales@kolos.no

Fall arrest block



Description:

1 pallets with new & used fall arrest block.

From rental department, very good condition,
High quality

Technical Information:

Producer: Sala + Ridgegear

Model: PS15

DBU Integra

RGA4A

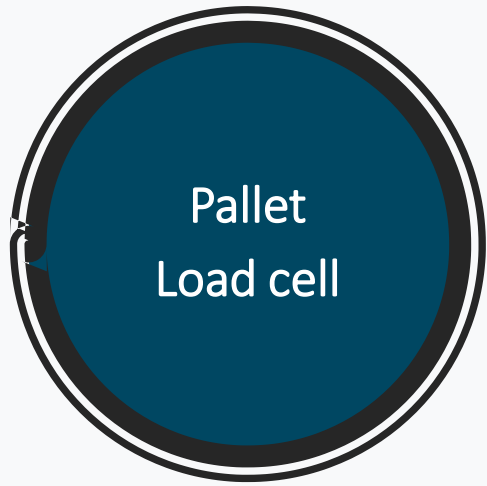
Length: 15 mtr

Year of manufacture: 2018, 2019, 2020

Standards: EN 360 & 1496

For more technical information, mechanical data sheet & price, contact:

sales@kolos.no



Description:

Pallet Load Cell, Kern kfb-tm

Technical Information:

Producer: Kern

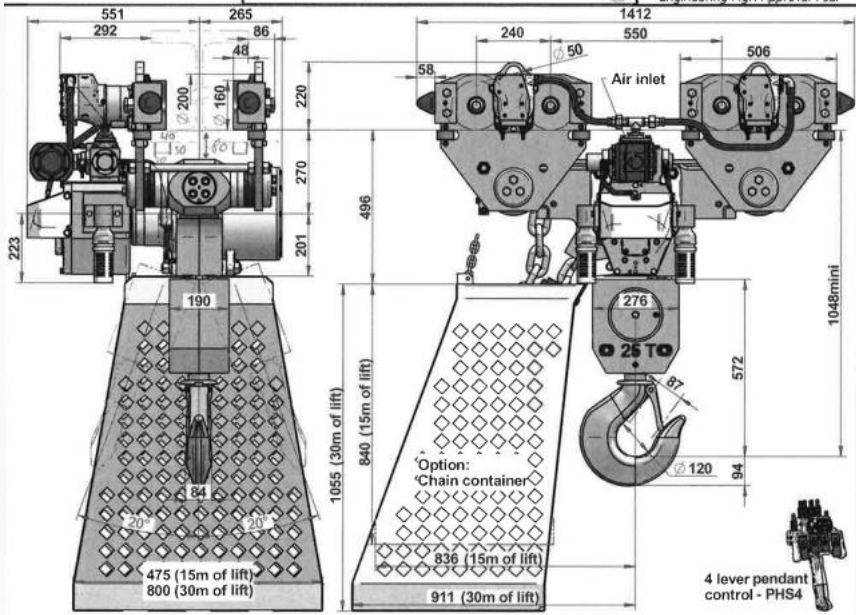
Model: KFM-TM

Year of manufacture: Unknown

For more technical information, mechanical data sheet & price, contact:

sales@kolos.no

25T
Low Headroom
BOP Air Hoist



Description:

2 ea Low Headroom BOP Air hoist LC2A Series with basket for chain

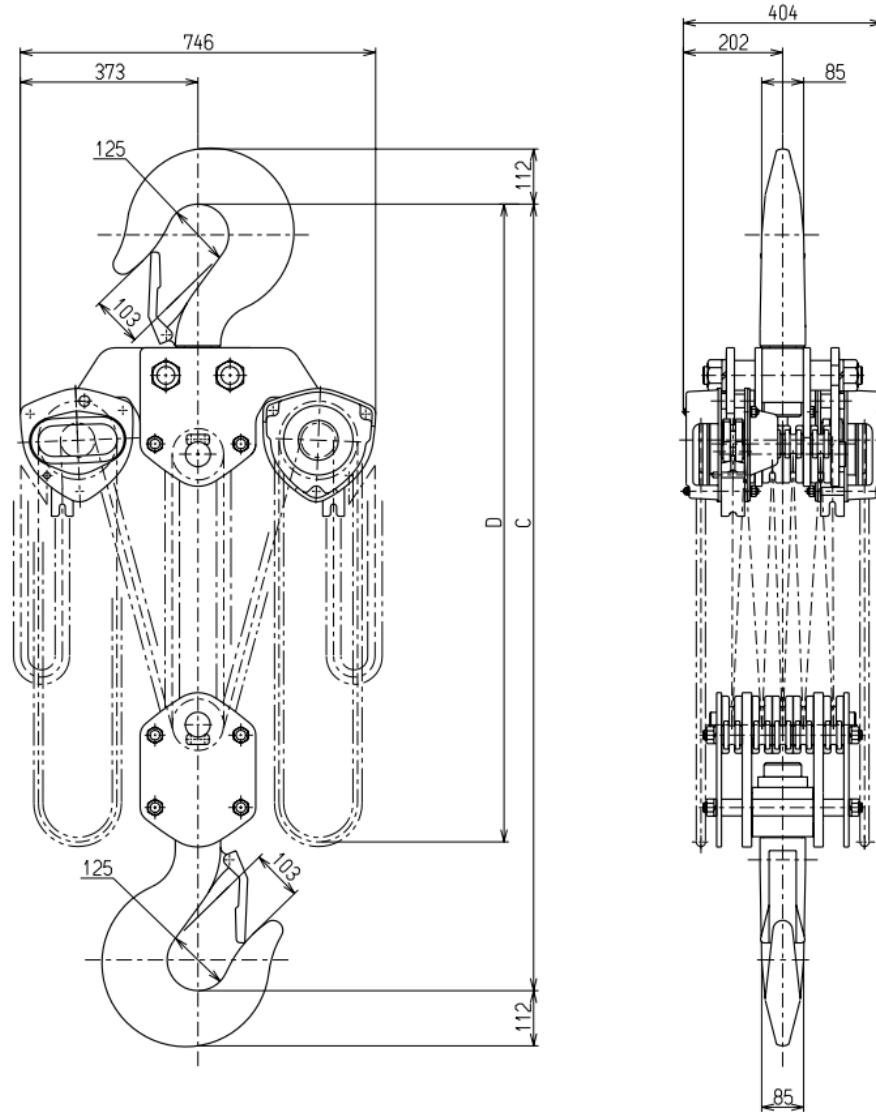
Technical Information:

Producer: IngersollRand
L x W x H (mm): 1412 x 816 x 1364
WLL: 25T
Model: LCA250DIP3REA23M20P-E
Year of manufacture: 2016

For more technical information, mechanical data sheet & price, contact:

sales@kolos.no

30T Chain Hoist



Description:

4 ea 30T CB300 Kito manual chain hoist

Technical Information:

Producer: Kito corp
L x W x H (mm): 746 x 404 x 1300
WLL: 30T
Model: C3CA300-12100
Year of manufacture: 2018
Standard: Machine Directive
 Norsok R002

For more technical information, mechanical data sheet & price, contact:

sales@kolos.no

500kg
Engine lifter



Description:
1 ea 500kg engine lifter

Technical Information:
Producer: Larzep
L x W x H (mm): Unknown
WLL: 500kg
Model: DLG005
Year of manufacture: 2005
Standard:

For more technical information, mechanical data sheet & price, contact:

sales@kolos.no

100T
Hydraulic
Press
Accessories



Description:

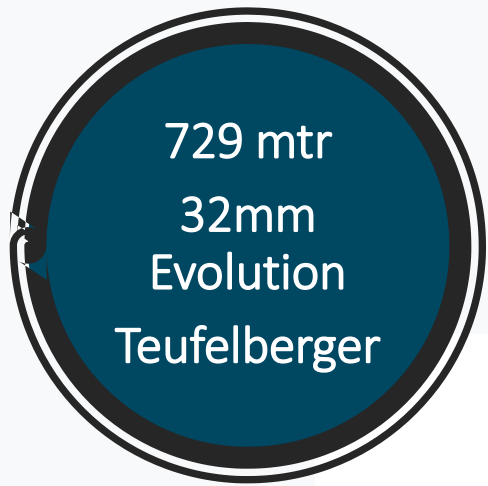
1 ea 100T Hydraulic Press Accessories

Technical Information:

Producer: Enerpac
L x W x H (mm): Unknown
WLL: 100T
Model:
Year of manufacture:
Standard:

For more technical information, mechanical data sheet & price, contact:

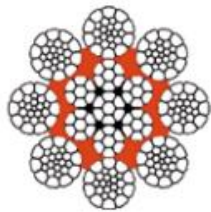
sales@kolos.no



NON-ROTATION RESISTANT /

EVOLUTION QS 816 V(G)

Extreme resistance to negative external influences distinguishes this rope from others. It features Teufelberger-Redaelli's proprietary SUPERFILL® compaction technology which ensures high breaking forces and maximum safety in use. Its compacted inner rope and a PLASTIFILL® filler insert give the rope high dimensional stability under lateral pressure.



Specifications

- Ordinary lay or lang's lay, right or left lay
- 8 x K26WS EPIWRC (K), RCN 09
- Use without swivel
- ✓ Multilayer Spooling
- ✓ SUPERFILL®
- ✓ PLASTIFILL®

Description:

729 mtr WIRE TEUFELBERGER LHLL 32MM 1960 N/MM2 MBL 957 KN. EVOLUTION QS 816 Non rotational

Technical Information:

Producer: Teufelberger
L x W x H (mm): 32mm
WLL:
Model:
Year of manufacture:
Standard:

For more technical information, mechanical data sheet & price, contact:

sales@kolos.no