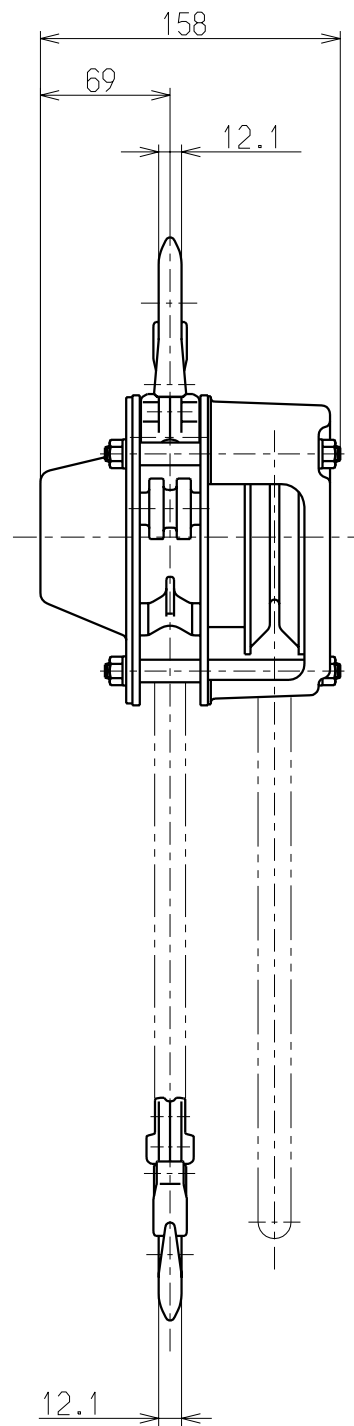
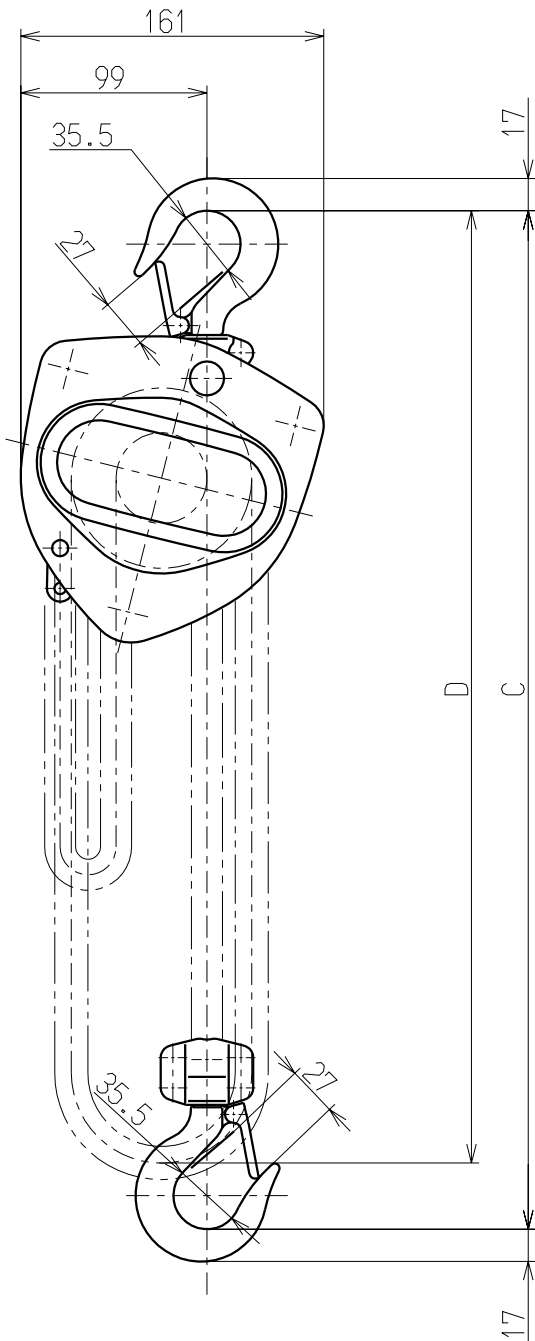


1 2 3 4 5 6 7 8 9 10

A
B
C
D
E
F



Specifications	
Working load limit	500 kg
Std. lift	2.5 m
Min. headroom :C	285 mm
Chain pull to lift full load	235 N (24 kgf)
Hand chain Length from top hook :D	2.5 m
Load chain size	5 × 15 mm
Mass	10 kg

Note:

CB SERIES 500kg
MANUAL CHAIN HOIST

APPROVED	CHECKED	DESIGNED
SASAKI 2000.5.25	OKUYAMA 2000.5.25	ARUGA 2000.5.25

KITO CORP.

CODE	CB005	SCALE	
DWG.NO.	C3BA005-12100	DATE	

UNIT : mm