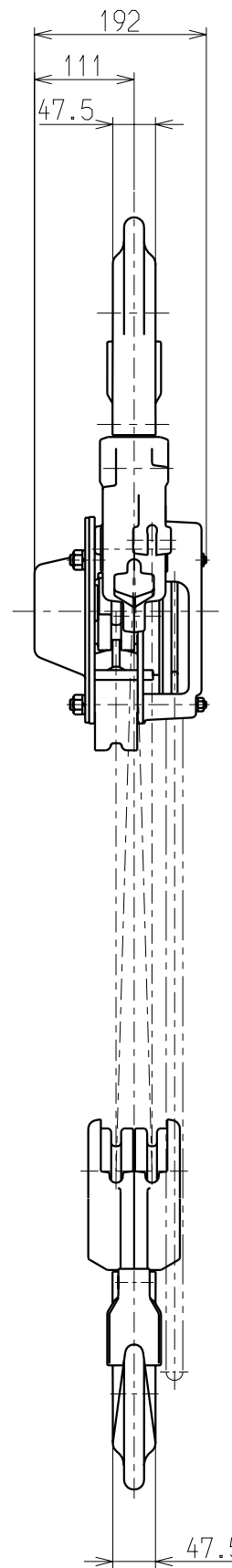
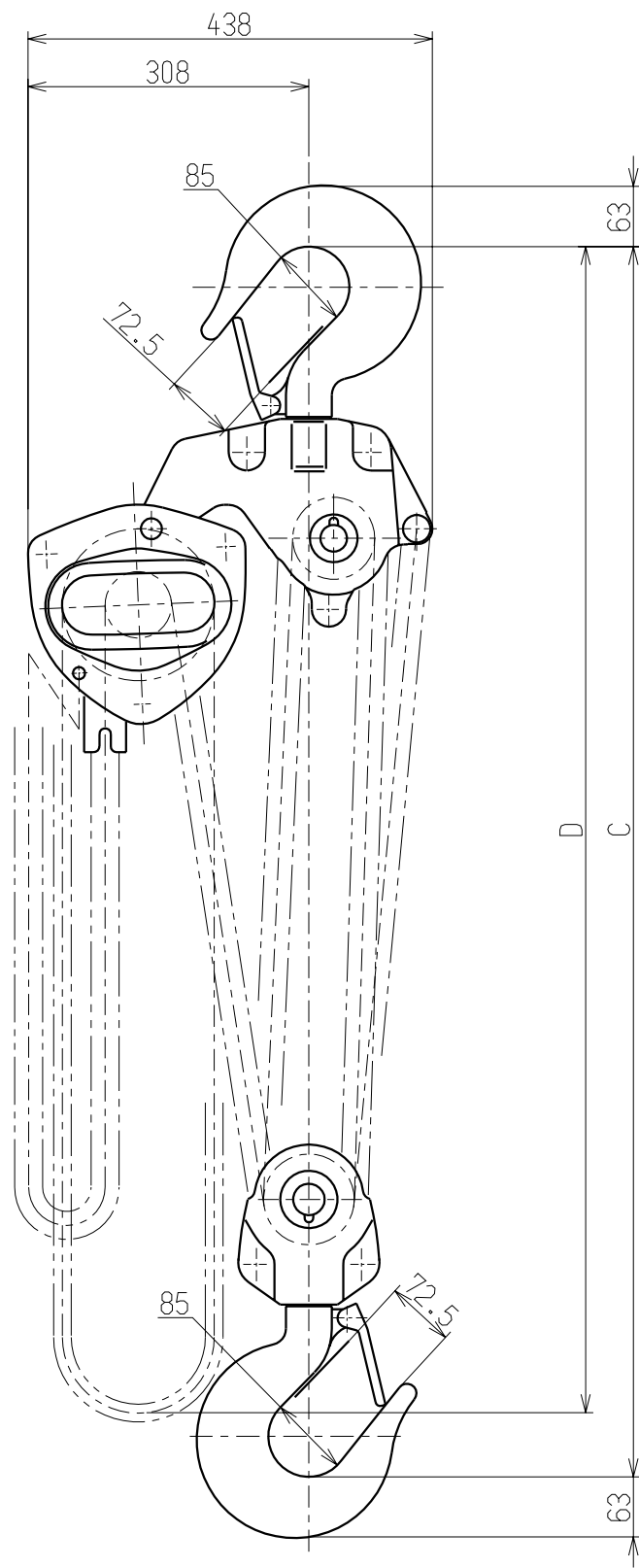


1 2 3 4 5 6 7 8 9 10

A
B
C
D
E
F



Specifications	
Working load limit	10 t
Std. lift	3.5 m
Min. headroom :C	760 mm
Chain pull to lift full load	353 N (36 kgf)
Hand chain Length from top hook :D	4.2 m
Load chain size	9 × 27 mm
Mass	83 kg

Note:

CB SERIES 10 t
MANUAL CHAIN HOIST

APPROVED	CHECKED	DESIGNED
SASAKI 2000.7.5	OKUYAMA 2000.7.5	ARUGA 2000.7.5

CODE	SCALE
CB100	
DWG.NO.	DATE
C3BA100-12100	

KITO CORP.

UNIT : mm