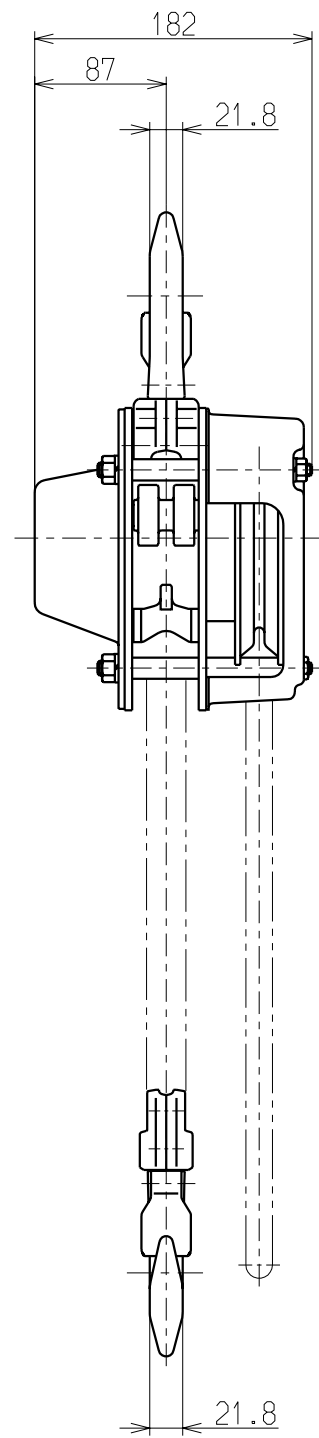
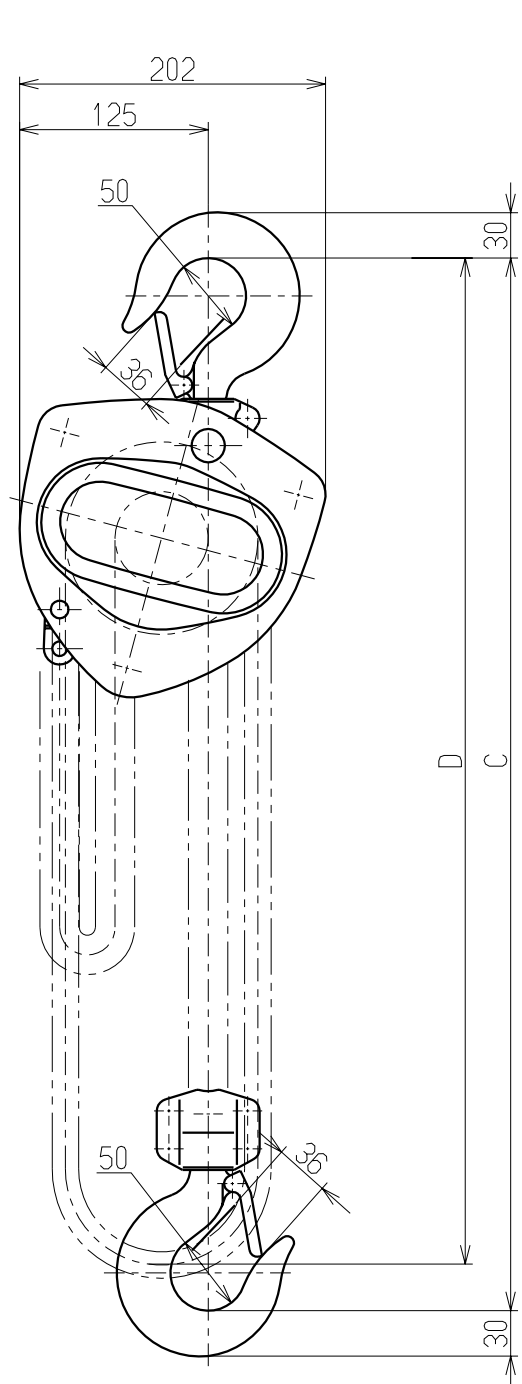


1 2 3 4 5 6 7 8 9 10

A
B
C
D
E
F



Specifications	
Working load limit	2 t
Std. lift	3.0 m
Min. headroom :C	375 mm
Chain pull to lift full load	353 N (36 kgf)
Hand chain Length from top hook :D	3.0 m
Load chain size	8 × 24 mm
Mass	20 kg

Note:

CB SERIES 2 t
MANUAL CHAIN HOIST

APPROVED	CHECKED	DESIGNED
SASAKI 2000.4.11	OKUYAMA 2000.4.11	ARUGA 2000.4.11

CODE	CB020	SCALE	
DWG.NO.	C3BA020-12100	DATE	

KITO CORP.

UNIT : mm