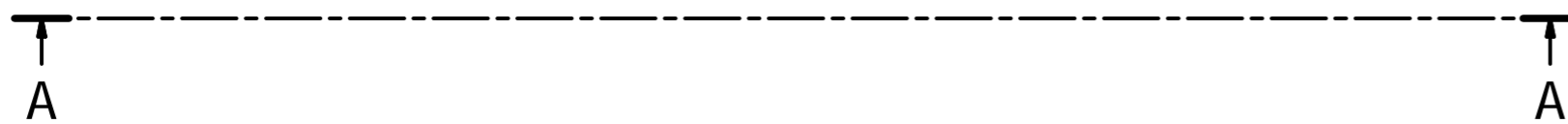
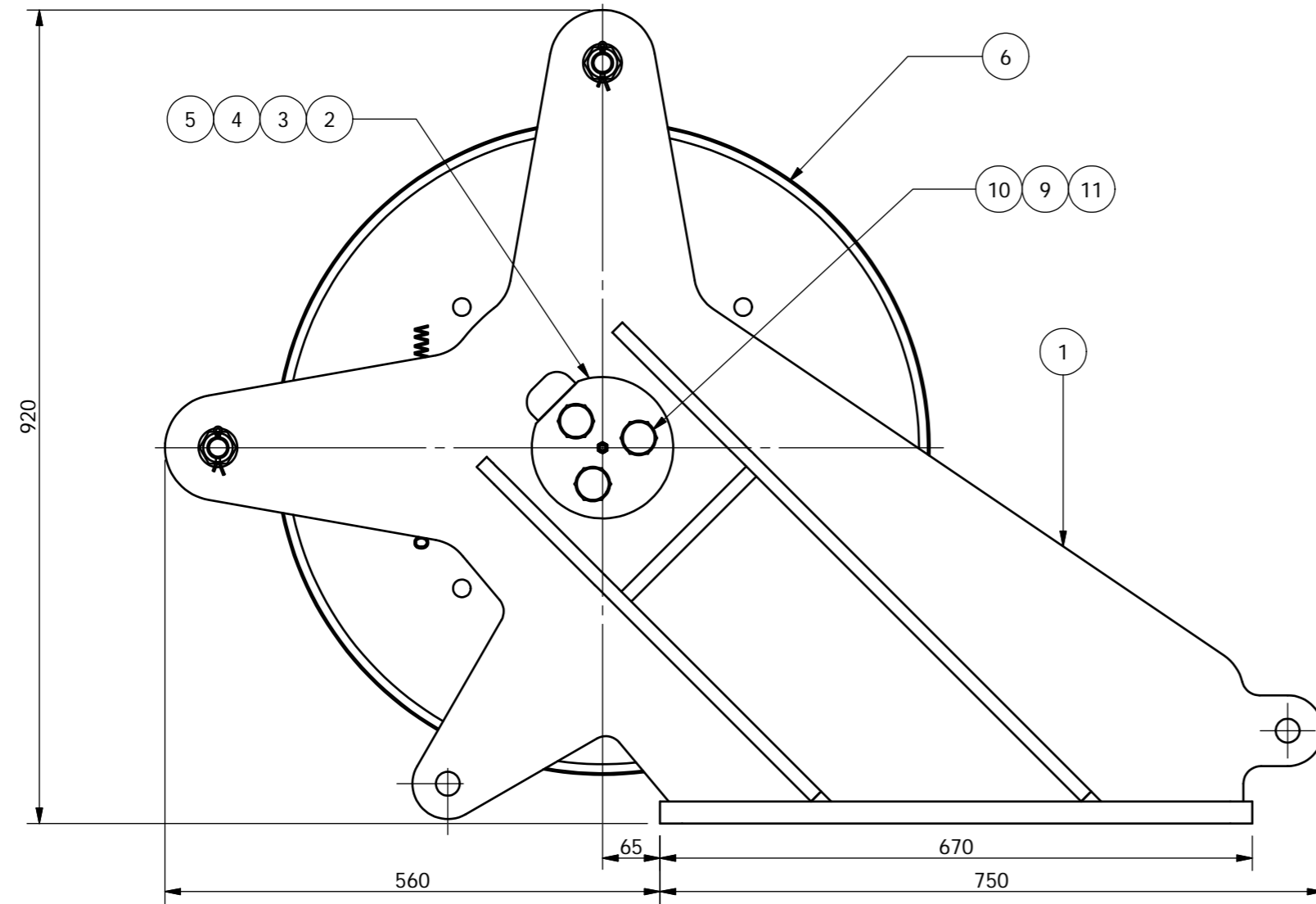
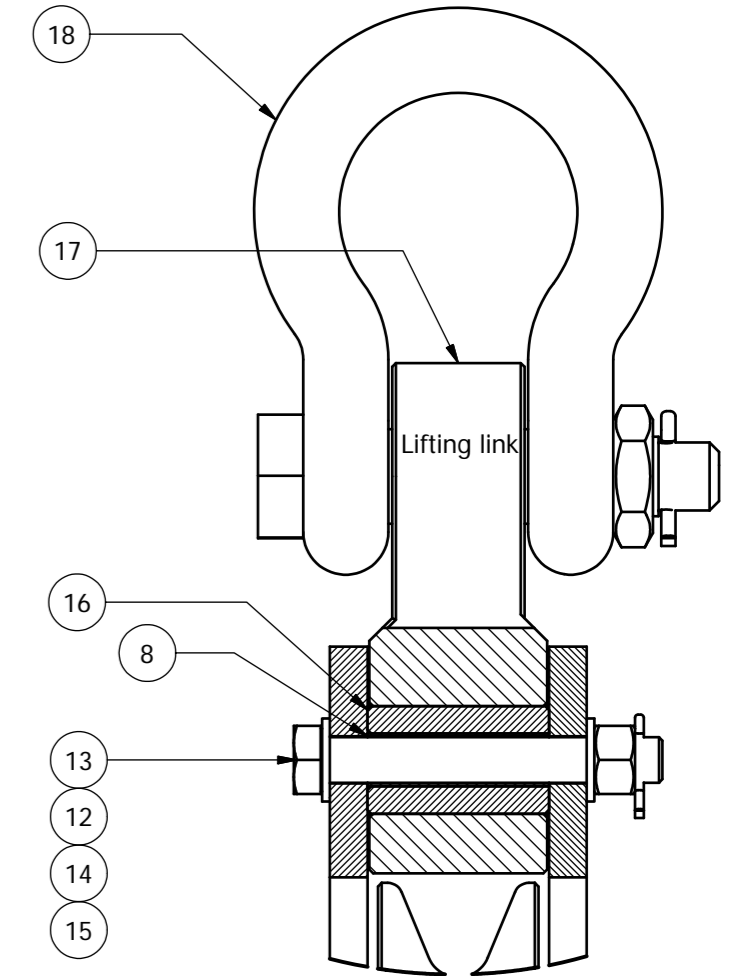
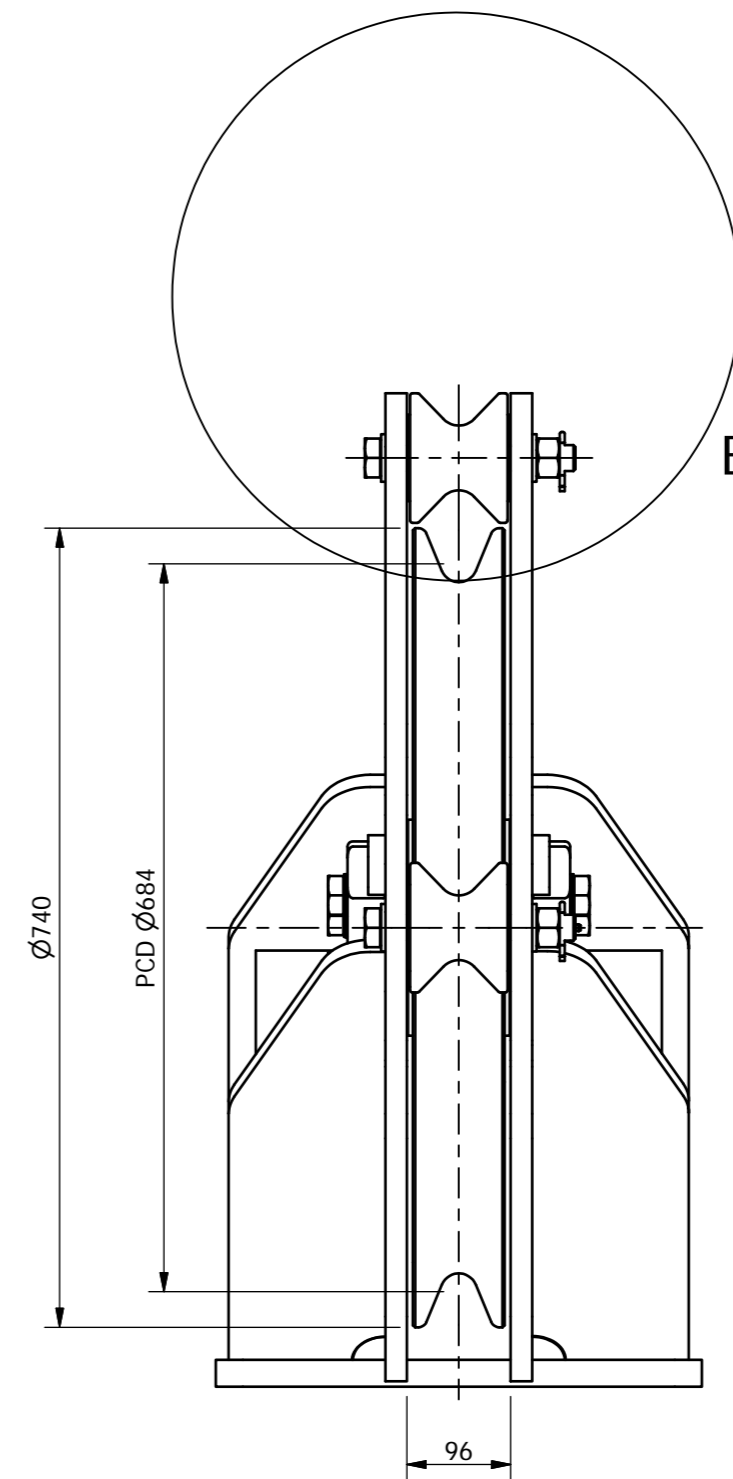
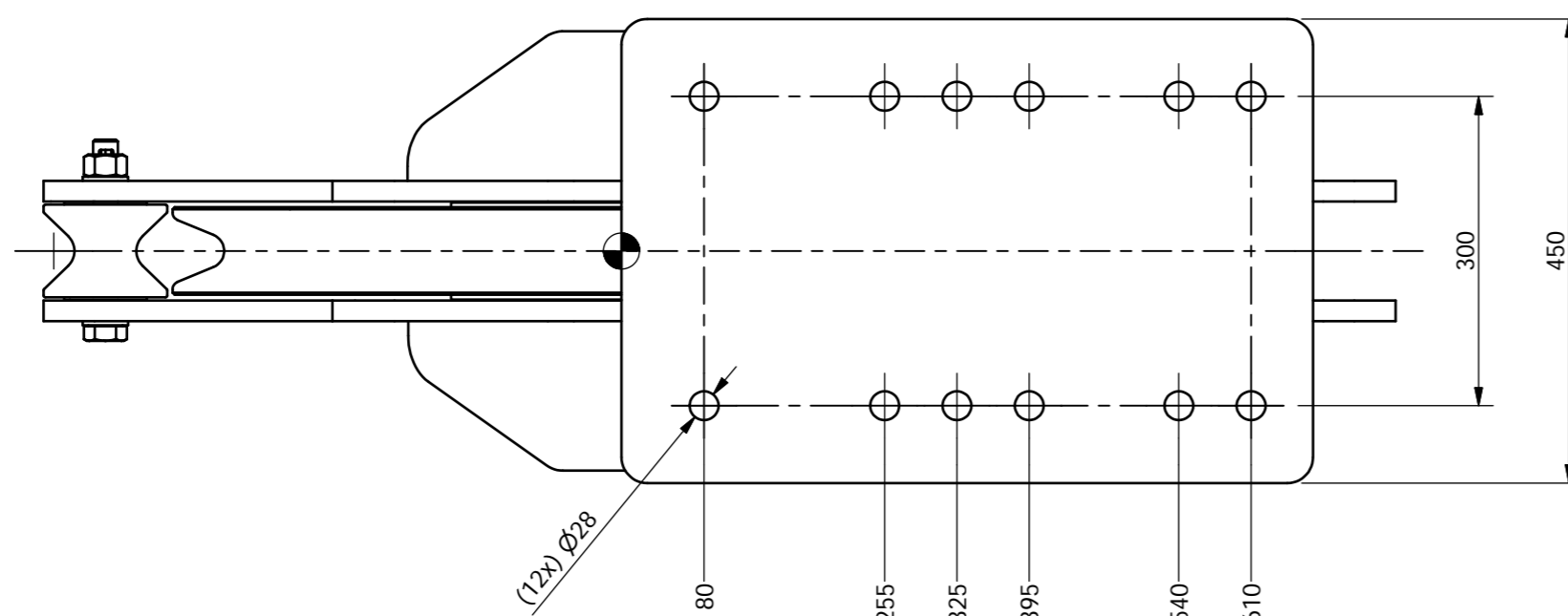


(1:15)



A-A (1:7)



B (1:4)

**Notes:**

Material certificates in accordance with NS-EN 10204 3.1

Design and manufacturing in accordance with:

- DNV; Standard for certification No. 2.22.  
- Machine directive

Design factors:  
DAF 1,3  
Load factor 1,3  
Material factor 1,15

Bolted connection as per:

EN-1993-1-8  
Bolt size: M27 grade 8.8  
Friction: 0,3

Boundary conditions:

- Wrapped angle 90°±5'  
Fleet angel: Max 2,5'  
Max wire pull: 300 kN

Item	Qty	Description	Designation	Material	Mass
18	1	Shackle - Bow SB - WLL 25T			13,6 kg
17	1	Becket DL 22,5 T	33-0001		15,6 kg
16	1	spacer - tube -28x57-96	00167		0,2 kg
15	2	Split Pin - ISO 1234 - 5x40		A4	0 kg
14	2	Nut - ISO 4032 - M24		A480	0,1 kg
13	2	Bolt - ISO 4014 - M24x180		A480	0,8 kg
12	4	Washer - ISO 7089 - 25x44-4		A4	0 kg
11	1	Lubrication Nipple - DIN 71412 A - M10x1 - A4	X00017	A4	0 kg
10	6	Bolt - ISO 4017 - M24x50		A480	0,3 kg
9	6	Washer - Nord-lock - NL24ss		A4	0 kg
8	2	Spacer - tube - 25x28-96	00166		0,1 kg
7	2	Wire guard - 60x120-75x95-28	00165		0,6 kg
6	1	Standard sheave ø740xø640x95	01-0007-XX		90,1 kg
5	1	O-ring - ø18x4		NBR-N70	0 kg
4	1	Pin - bearing - 130x178	00161		17,9 kg
3	1	Securing disc - 130x20-160x35	00163		3,1 kg
2	1	Securing disc - 100x5-140x15	00112		3,1 kg
1	1	Block house - vertical	00164		250 kg



Longhamerveien 7  
5536 Haugesund - Norway

post@gleipnir.no  
www.gleipnir.no

Projection:	Gen. Tol.: NS-ISO 2768-1m	Gen. Weld.: NS-EN 287-1 / 288	Gen. Roughness:
Sheet size: A2	Scale: 1:7	Repl. for:	Repl. by:
Title: <b>Lead block - vertical</b> - Max wire pull : 30T / 300kN - Max wrapped angle 90 DGR			
Drwg. No.: 00168	Rev.: 0		Sheet: 1 of 1

0	18.02.10	Issued for construction	SW	JAV	
Rev	Dato	Tekst	Tegn.	Kontr.	Godkj.

This document and all information and data disclosed herein or hereinafter are the confidential and proprietary property of GLEIPNIR AS and are not to be used, reproduced or disclosed in whole or in part by or to anyone without the written permission of GLEIPNIR AS. Contravention will be prosecuted.