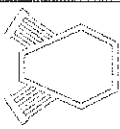


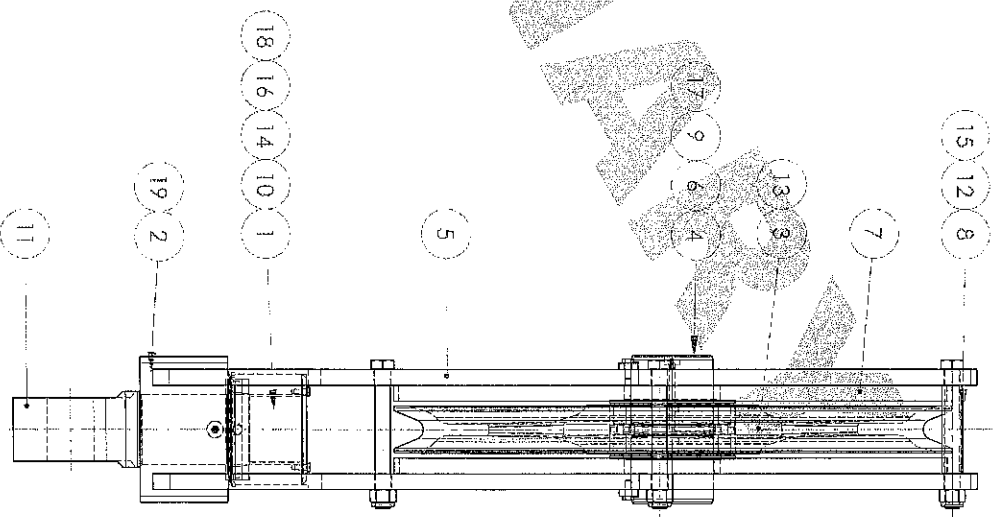
Ropeblock code:	KB 800.30.1.55	SWL/WLL:	55 Mtons
Customer ID:	-	Dynamic factor:	-
Wire rope:	ø30 mm	Load group:	1Bm DIN 15-400
Hook size:	-	Design Acc.:	RB Standard, S.F. 5:1
Target weight:	630 kg	Personnel lift SWL/WLL:	-

Title:		Tolerancing NEN 2731 E		GFS - geometrical tolerancing acc. ISO 1101		Surface texture acc. ISO 1302	
CONSTRUCTIONBLOCK SWL 55Mtons		Tolerances acc. ISO 2768-mk-E / ISO 13920-AE		Limits and fits acc. ISO 286			

 <p>ROPEBLOCK P.O. BOX 391 7570 AJ OUDHEVAAL THE NETHERLANDS TEL: (+31)594-532300 FAX: (+31)594-522617 WWW.ROPEBLOCK.COM</p>		Drawn: PO	Checked:	Date: 22-02-11	Material:	Projection:
Rev. Description:	Units: mm	Material: -	Format: A3	Theoretical weight: 633.1 kg	Treatment: -	Sheet: 1 / 2
Scale: 1:9	Rev. Date:	Rev. by:	Rev. Date:	Drawing Number: R110575-2	Revision: 00	

THIS DOCUMENT AND ALL INFORMATION AND DATA CONTAINED HEREIN IS UNCLASSIFIED AND NOT FOR DISTRIBUTION TO THE PUBLIC. INFORMATION IS UNCLASSIFIED BY NUMBER ON 03/20/2010 BY [REDACTED] FOR THE UNITED STATES OF AMERICA. THE UNITED STATES GOVERNMENT IS AUTHORIZED TO REPRODUCE AND TRANSMIT THIS INFORMATION WITH THE LIMITED EXCEPTION OF REPRODUCTION FOR PROMOTION.

POS.	QTY.	Drawing Number	Title	Material
1	1	02.M110.175	HOOKNUT M110 HCLW 630.58.1.81	S355J2N
2	1	R110575-2.03	TRAVERSE RIB 800.30.1.55	S355J2N
3	1	R110575-2.04G	SHEAVE 800/130 R16 - MACHINING	GGG 50
4	1	R110575-2.05B	SHAFT 26.50x46 800.30.1.55	34CrNiMo6
5	2	R110575-2.06	CHEEKPLATE KB 800.30.1.55	S355J2N
6	2	R110575-2.09	POS. RING KB 800.30.1.55	S235J10
7	2	R110575-2.10	SPACERRING KB 800.30.1.55	S235J10
8	1	R110575-2.19	TOPPLATE KB 800.30.1.55	S235J10
9	2	21.110.30.10.8	RETAINER 110x30x10	S235J10
10	1	21.175.25.8.8	RETAINER 175x25x8	S235J10
11	1	32.100.73.268.110	SWIVEL STUD EYE HCLW 630.58.1.81	S355J2N
12	5	51.EV.24.220	BOLT M24x220 - DIN 931	8.8
13	1	54.5026PP	BEARING SL4 5026PP	Steel
14	1	54.81222	Bearing 81222	-
15	5	55.EV.24	Nyloc Nut M24 - DIN 965	8.8
16	2	56.EV.08.20	BOLT M8x20 - DIN 933	8.8
17	4	56.EV.10.25	BOLT M10x25 - DIN 933	8.8
18	1	61.170A	Dirtecal 170A	NBR
19	2	66.10.01	Lubrication nipple M10x1 - DIN 71412	Steel



Tolerancing NEN 2731 E
 Tolerances acc. ISO 2768-mk-E / ISO 13920-AE
 GF5 - geometrical tolerancing acc. ISO 1101
 Units and fits acc. ISO 286
 Surface texture acc. ISO 1302

Title:
CONSTRUCTIONBLOCK SWL 55mtons

ROPEBLOCK
 P.O. BOX 391
 7570 AJ OUDERZAAK
 THE NETHERLANDS
 TEL: (+31)541-532300
 FAX: (+31)541-522617
 www.ropelock.com

Rev. Description: _____
 Drawn: PO
 Checked: _____
 Units: mm
 Format: A3
 Scale: 1:8
 Date: 22-02-11
 Material: -
 Weight: 633.1 kg
 Treatment: -
 Drawing Number: **R110575-2**
 Projection:
 Sheet: 2 / 2
 Revision: **00**

THE SQUARE AND THE TRIANGLE ARE THE PROPERTY OF ROPEBLOCK AND MAY BE USED FOR THE CONSTRUCTION OF THE CONSTRUCTION BLOCKS ONLY. THE SQUARE AND THE TRIANGLE ARE THE PROPERTY OF ROPEBLOCK.