

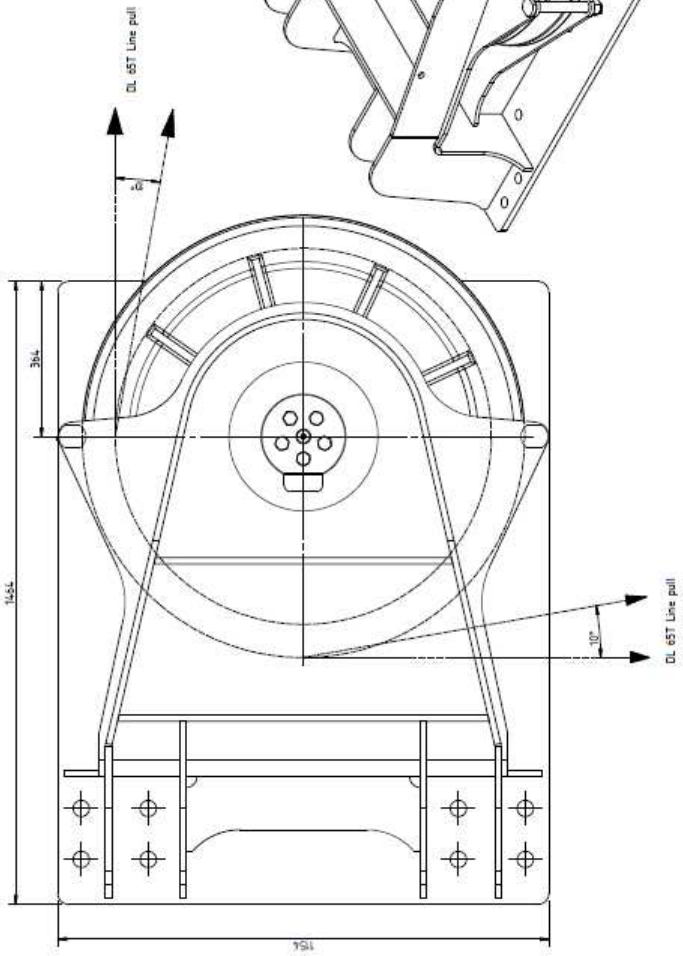
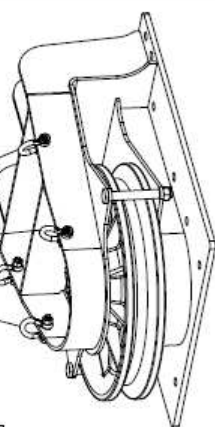
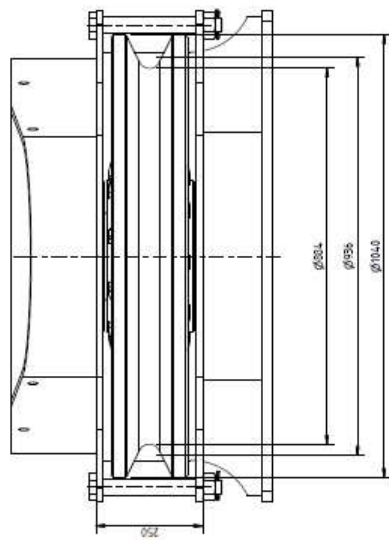
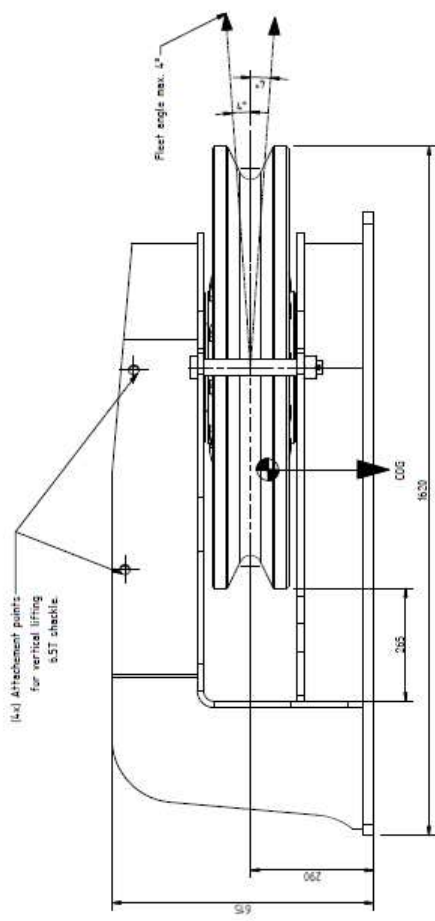
This is a computer aided drawing and not to be altered manually

**General notes:**  
 - Remove all debris/dirt  
 - Preservation of parts in accordance with specifications on order

**Material Requirements in acc. with: (D.L.T.-2-SA-0001)**

**Material traceability:**  
 - Mark part/structure with a unique ID-number supplied by Gleipnir AS on order  
 - All plates of a welded structure to be marked with the material certificate Charge ID

A ( 1.8 )



**Technical notes:**

Design and manufacturing in accordance with:  
 DNV - Standard for certification No 222 - Lifting appliances.

Design load DL = 650 kN

Factors applied:  
 DAF = 1.3  
 Consequence factor Yc = 1.25  
 Load factor Y1 = 1.34  
 High risk factor Yn = 1 (for normal operations)

SWL= DL / (DAF\*Yn)

Design temperature TD = -20°C

Rev.	Date	Issued for	Drawn by	Checked by	Appr.																																				
1	20.10.2013	None	3.2																																						
2	05.11.2015	Changed the exterior dimension of shackle from 1716 field																																							
<table border="1"> <tr> <td>Proj. No.</td> <td>650 0015</td> <td>Proj. No.</td> <td>650 1191</td> <td>Doc. Reference</td> <td>3.2 / Break all sharp edges</td> </tr> <tr> <td>Proj. Name</td> <td>AC</td> <td>Scale</td> <td>1:5:1</td> <td>Doc. Type</td> <td>Rev.</td> </tr> <tr> <td colspan="6"> <p>Titel: <b>Lead block - H - HD - 884x1040</b>            DL 650 kN For <math>\phi</math>48mm wire</p> </td> </tr> <tr> <td colspan="6"> <p><b>GLEIPNIR</b>            Gleipnir AS            Haraldsgata 140 - N-5527 HAU            www.gleipnir.no - post@gleipnir.no</p> </td> </tr> <tr> <td colspan="5"> <p>Drawn: T718-001-1</p> </td> <td> <p>Scale: 1 / 1</p> </td> </tr> <tr> <td colspan="5"> <p>Weight: 265,3 kg</p> </td> <td></td> </tr> </table>						Proj. No.	650 0015	Proj. No.	650 1191	Doc. Reference	3.2 / Break all sharp edges	Proj. Name	AC	Scale	1:5:1	Doc. Type	Rev.	<p>Titel: <b>Lead block - H - HD - 884x1040</b>            DL 650 kN For <math>\phi</math>48mm wire</p>						<p><b>GLEIPNIR</b>            Gleipnir AS            Haraldsgata 140 - N-5527 HAU            www.gleipnir.no - post@gleipnir.no</p>						<p>Drawn: T718-001-1</p>					<p>Scale: 1 / 1</p>	<p>Weight: 265,3 kg</p>					
Proj. No.	650 0015	Proj. No.	650 1191	Doc. Reference	3.2 / Break all sharp edges																																				
Proj. Name	AC	Scale	1:5:1	Doc. Type	Rev.																																				
<p>Titel: <b>Lead block - H - HD - 884x1040</b>            DL 650 kN For <math>\phi</math>48mm wire</p>																																									
<p><b>GLEIPNIR</b>            Gleipnir AS            Haraldsgata 140 - N-5527 HAU            www.gleipnir.no - post@gleipnir.no</p>																																									
<p>Drawn: T718-001-1</p>					<p>Scale: 1 / 1</p>																																				
<p>Weight: 265,3 kg</p>																																									

This document and its contents are the confidential and proprietary property of GLEIPNIR AS. Reproduction or disclosure in whole or in part by or to others without the written consent of GLEIPNIR AS is prohibited and is strictly prohibited.