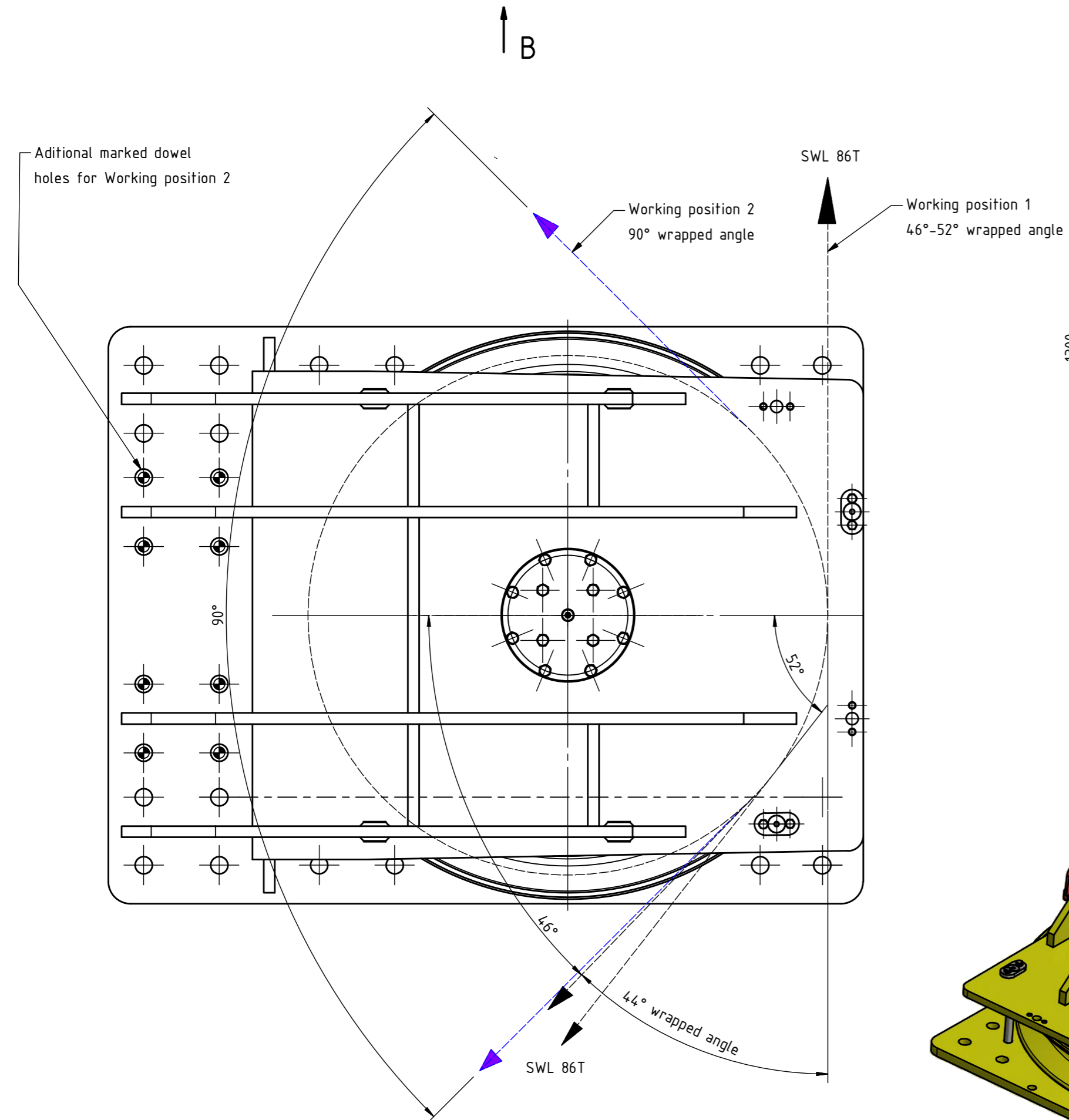
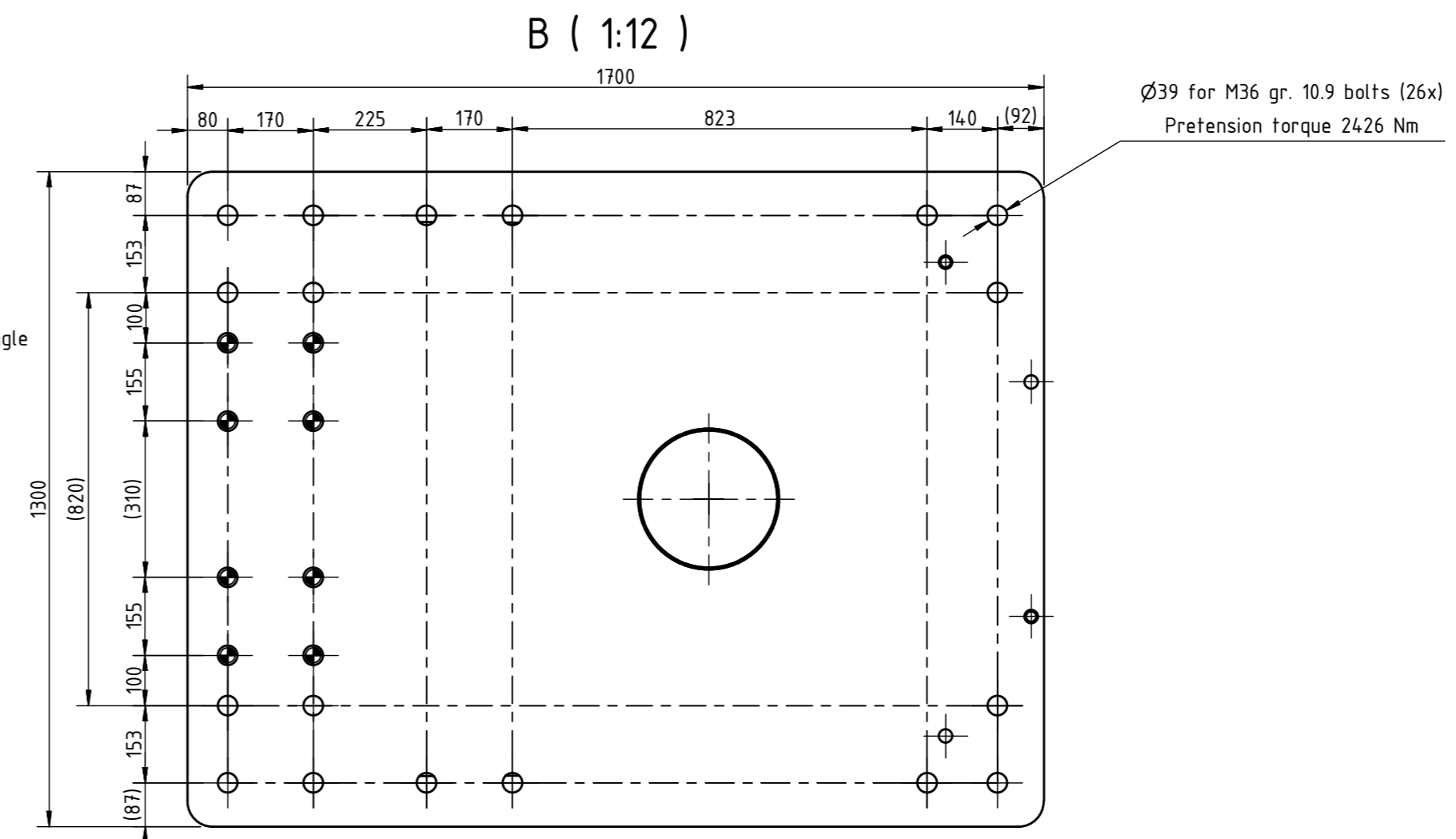
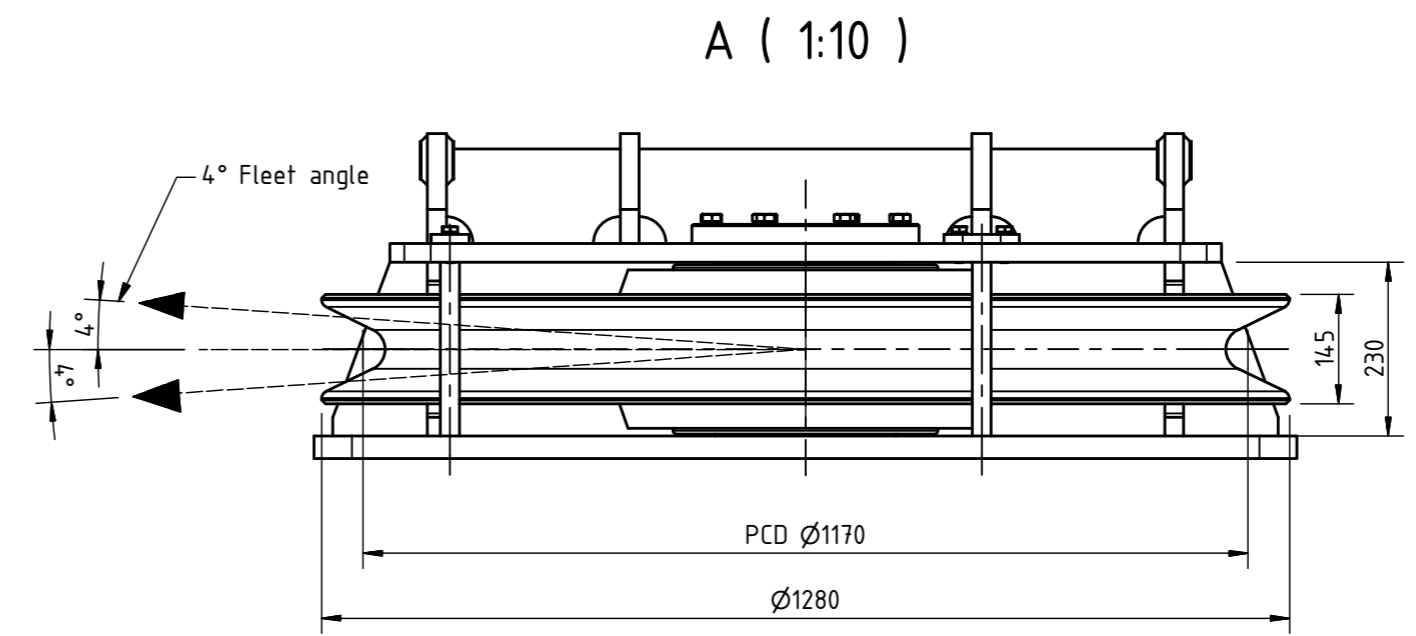
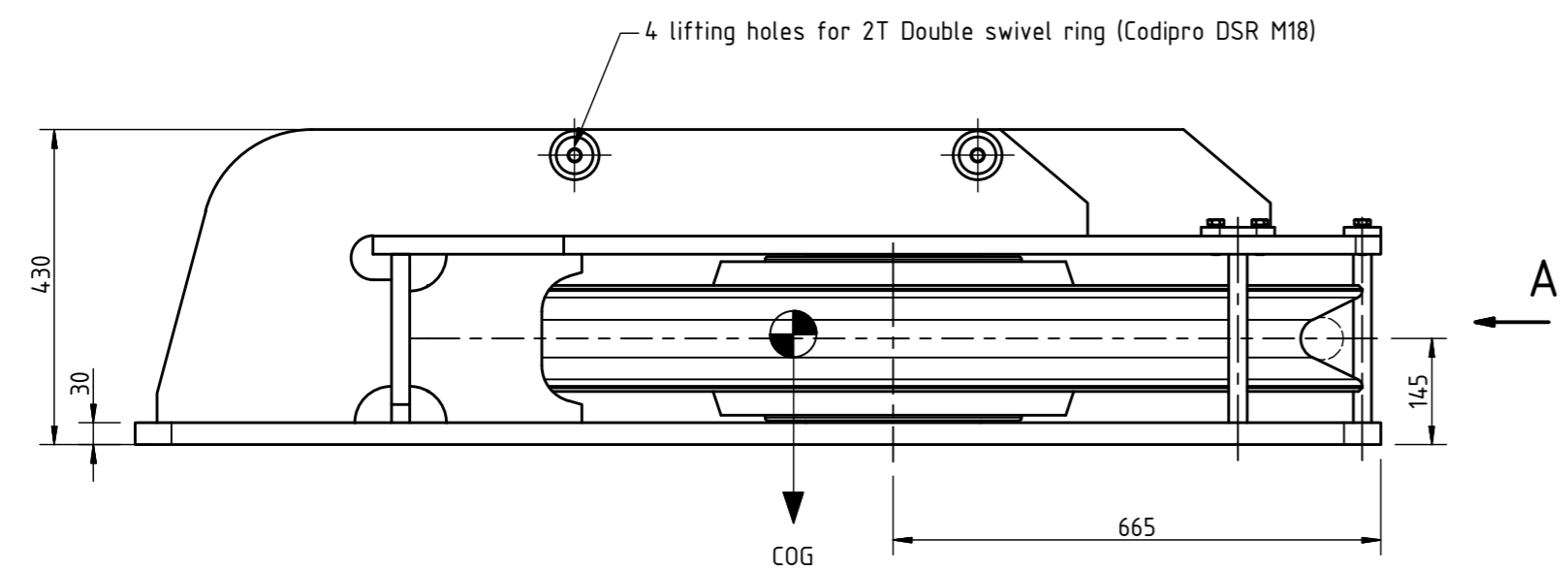


**General notes:**  
 - Remove all debris/dirt  
 - Preservation of parts in accordance with specifications on order

**Material traceability:**  
 - Mark part/structure with a unique GM-number supplied by Gleipnir AS on order  
 - All plates of a welded structure to be marked with the material certificates Charge ID

**Material Requirements in acc with:** GLST-Z-SA-0001

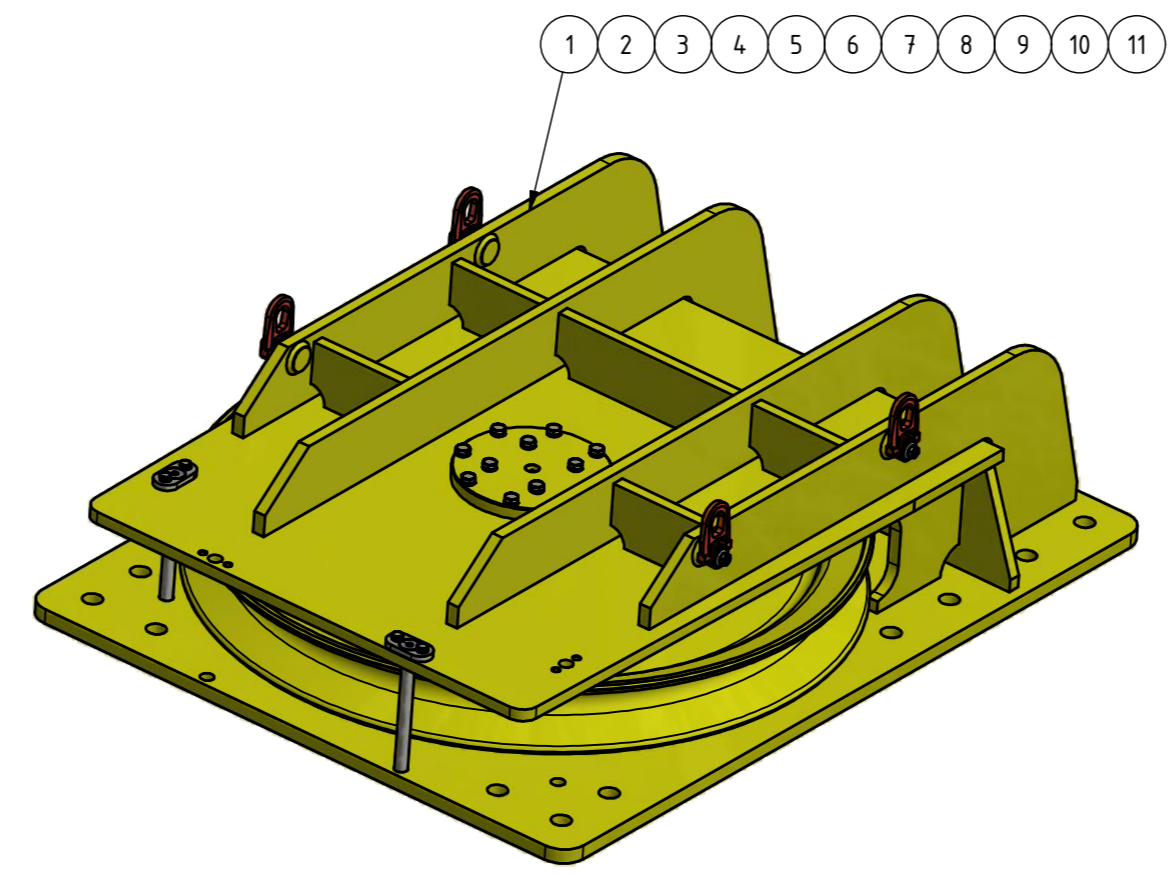


**Technical specifications**

- SWL (wire pull) = 86T
- Wrapped angle: 44°
- Add. safety angle: 5°
- Fleet angle: 4°
- Wire size = Ø58
- Design temperature TD = -20°C
- Design in accordance with: DNV 2.22
- Lifting appliances - Offshore cranes

**Attention!**

When the block will work with 90° wrapped angle (working position 2), is mandatory that block shall be restrained with additional 8 bolts placed in the marked Dowel holes. For working position 1 these bolts are not needed.



Item	Qty	Description	Designation	Mass
11	4	Double swivel ring - 2T - Codipro	DSR M18	0,1 kg
10	1	Lubricating nipple, G1/8"	DIN 71412A	0 kg
9	12	Screw - M16x50	DIN 933	0,1 kg
8	4	Screw - M12x40	DIN 933	0,1 kg
7	12	Washer - M16	Nordlock	0 kg
6	4	Washer - M12	Nordlock	0 kg
5	1	Sheave - W - ADI - PCD1170x1280x145/230	03-0002B	534,9 kg
4	1	Axle holder - D - 8xM16 - 221x15-300x25	03429-0	10,3 kg
3	1	Bearing pin - AD - M16 -220x290	03428-0	86,5 kg
2	2	Safety bolt - Ø25x283	03427-0	1,5 kg
1	1	Blockhouse	03426-0	1088,3 kg

Desg. by: ID		Document type:		Document status:		Scale:		Projection:		Sheet size:		Ref:	
23.11.2015		-GA drawing-		-under approval-		1:10				A2		03425-0	
Appr. by: JAV		23.11.2015											
		Gleipnir AS		Title: Lead block - H - W - ADI - PCD1170-230-1- 86		Drwg. No.: 03424-0		Rev.: 0		Sheet: 1 / 1		Total Weight.: 1725 kg	
Haraldsgata 140 - N-5527 HAU		www.gleipnir.no - post@gleipnir.no		For Ø58mm wire									

This document and all information and data disclosed herein or herewith are the confidential and proprietary property of GLEIPNIR AS. Contravention will be prosecuted.